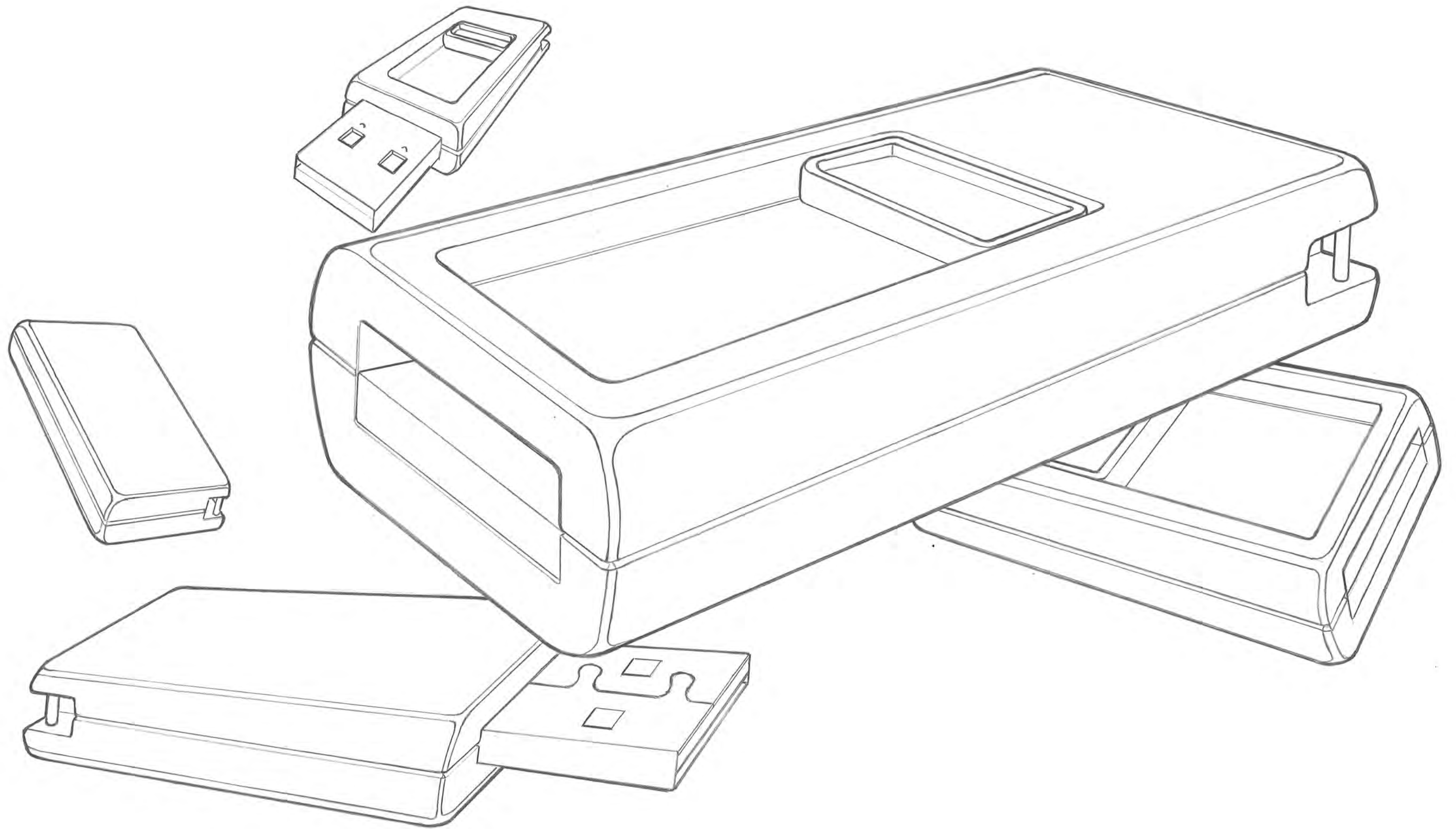
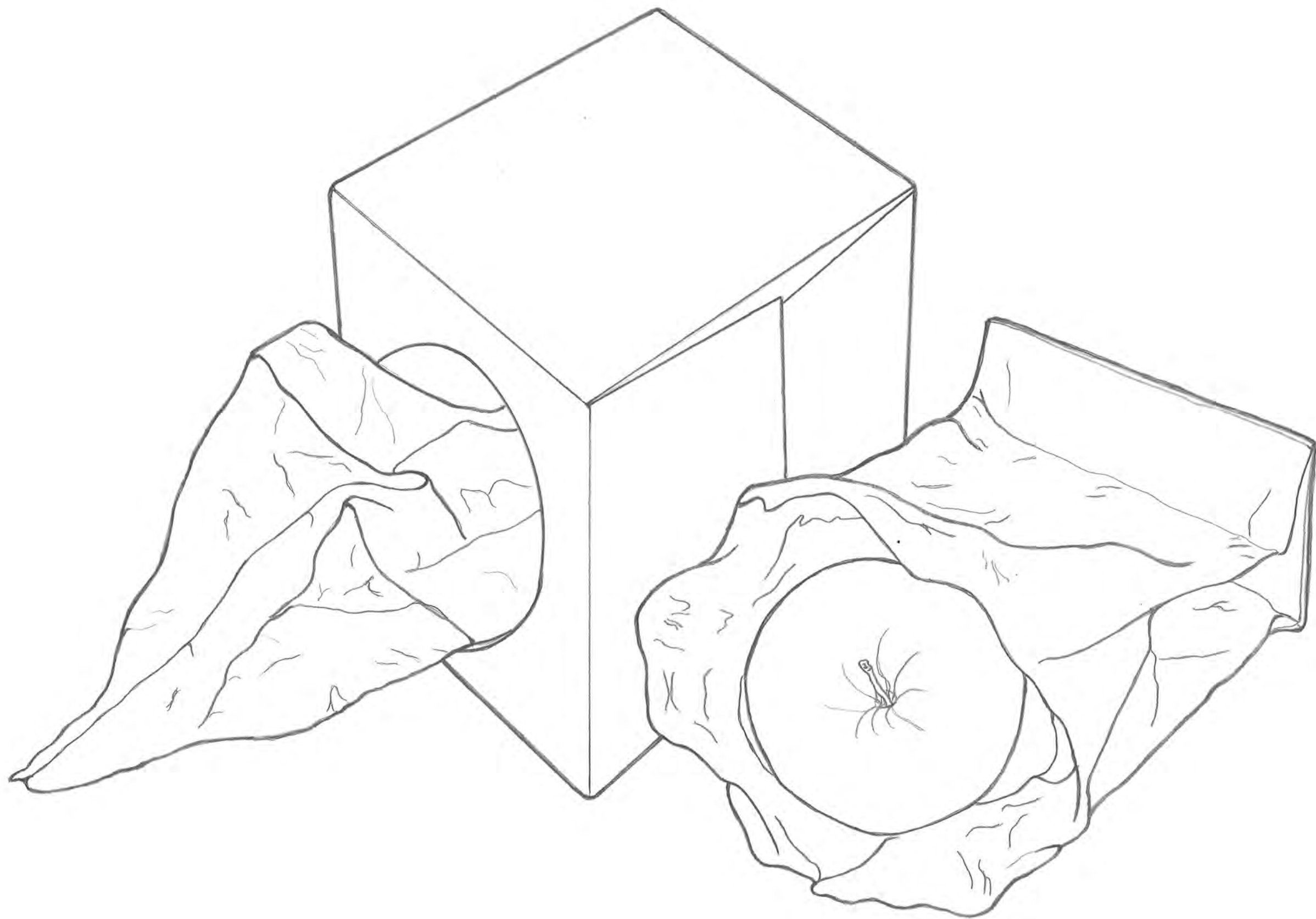


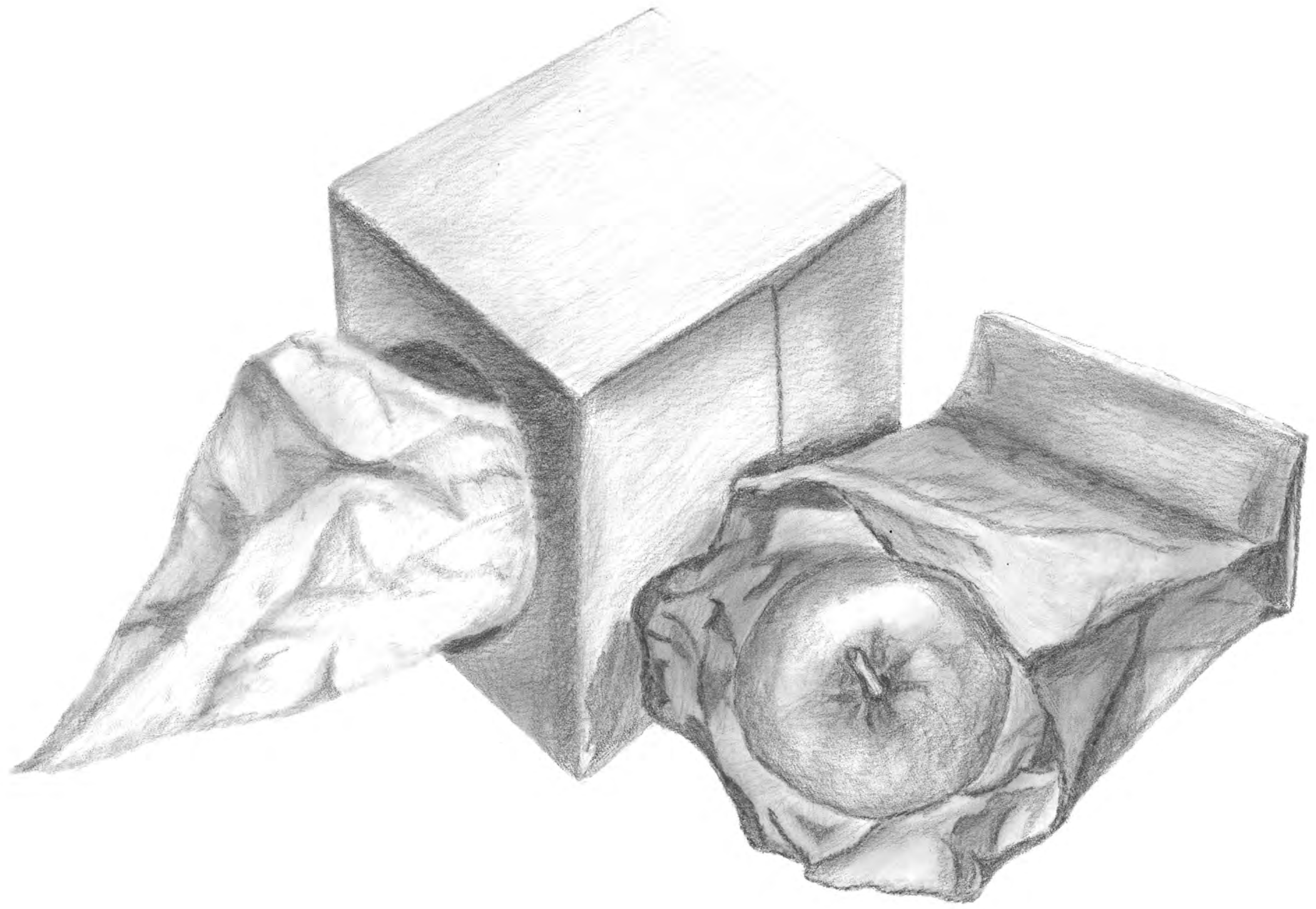
Jon Paul White #1



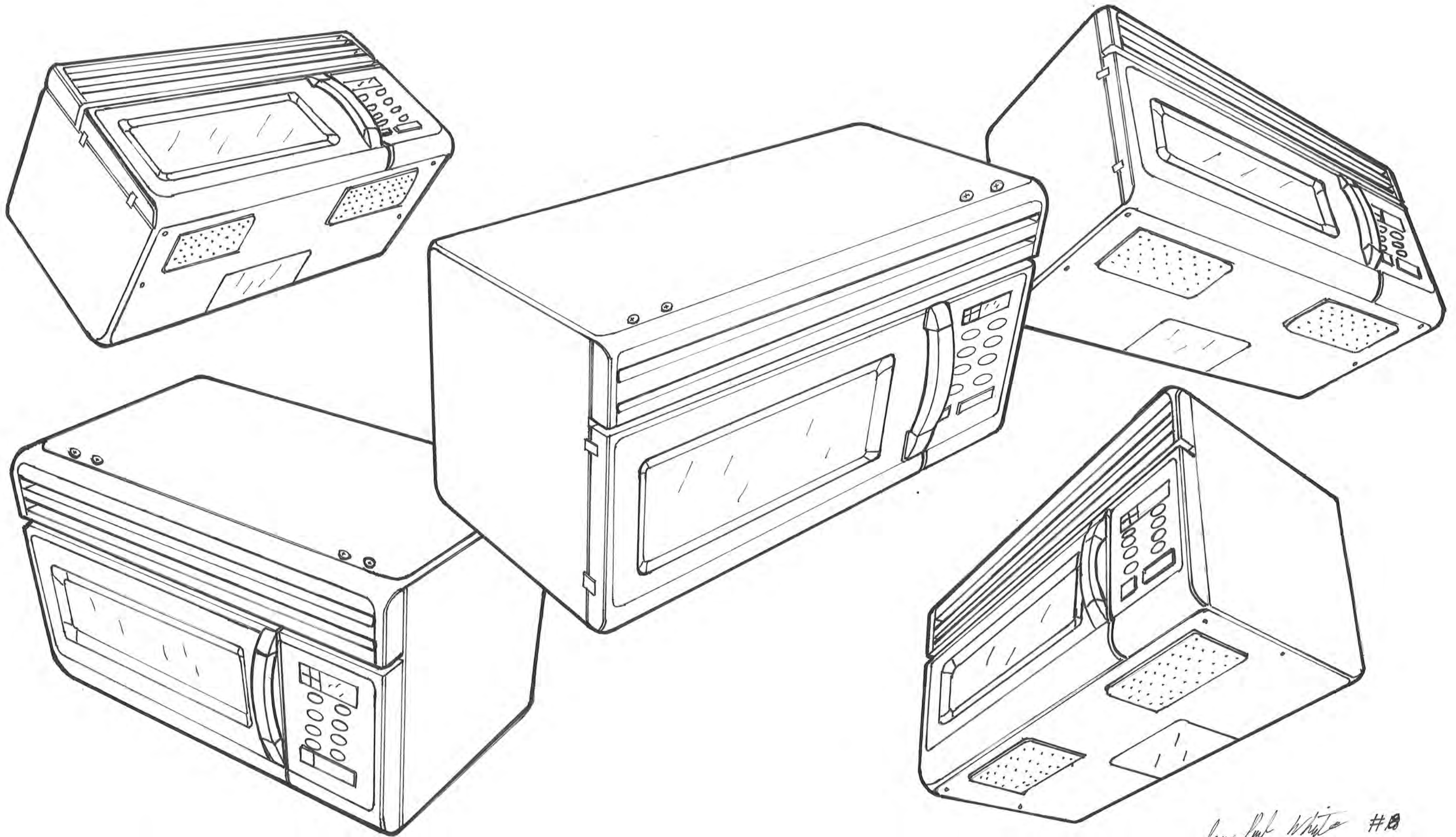
Jon Paul White #3



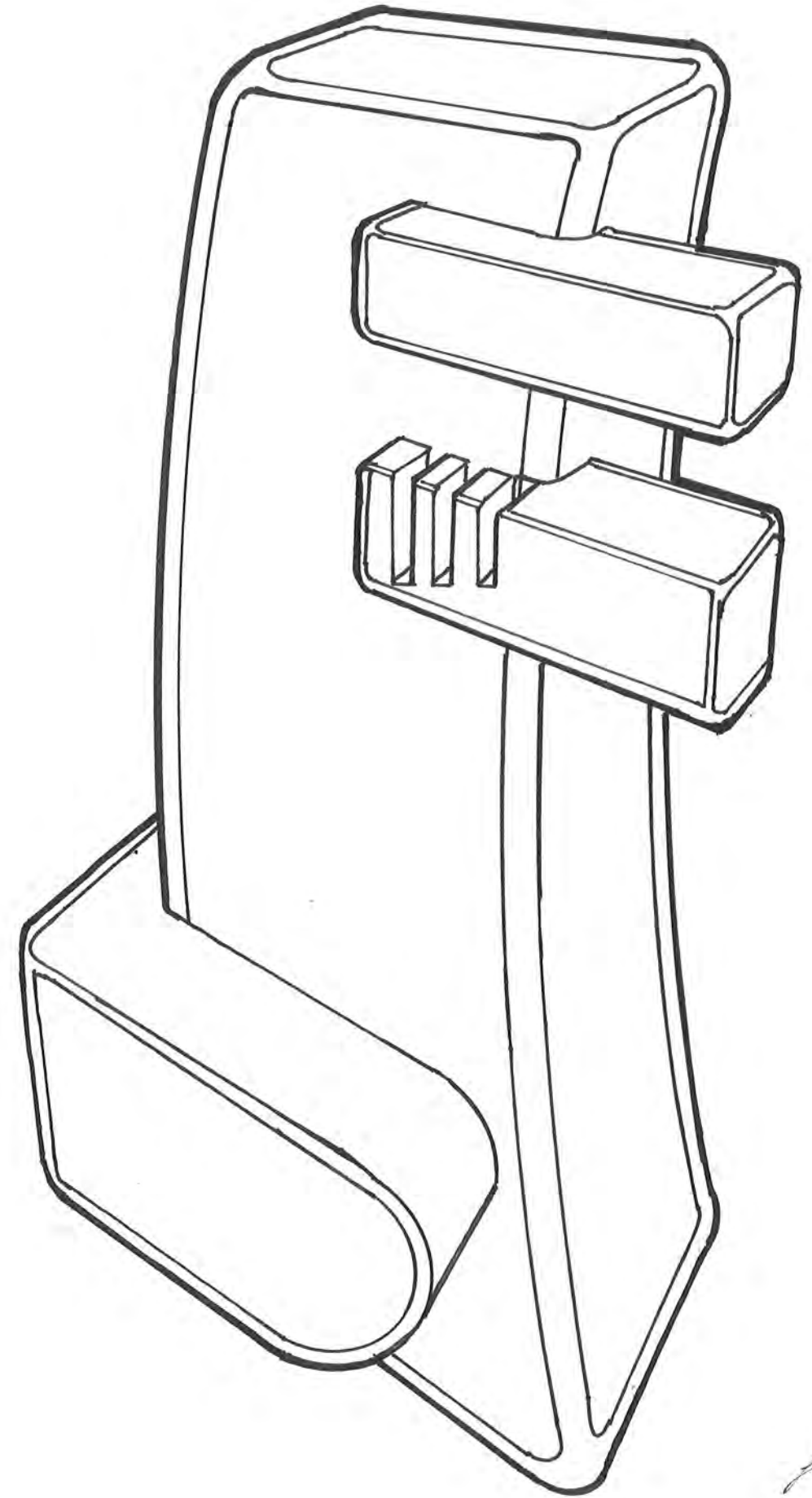
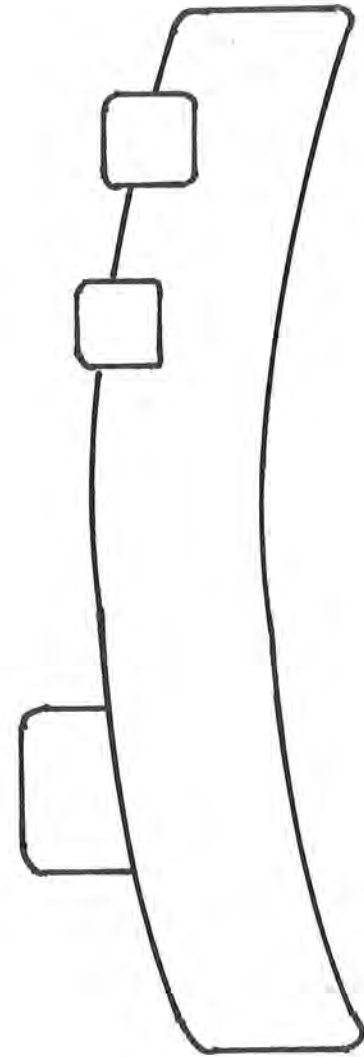
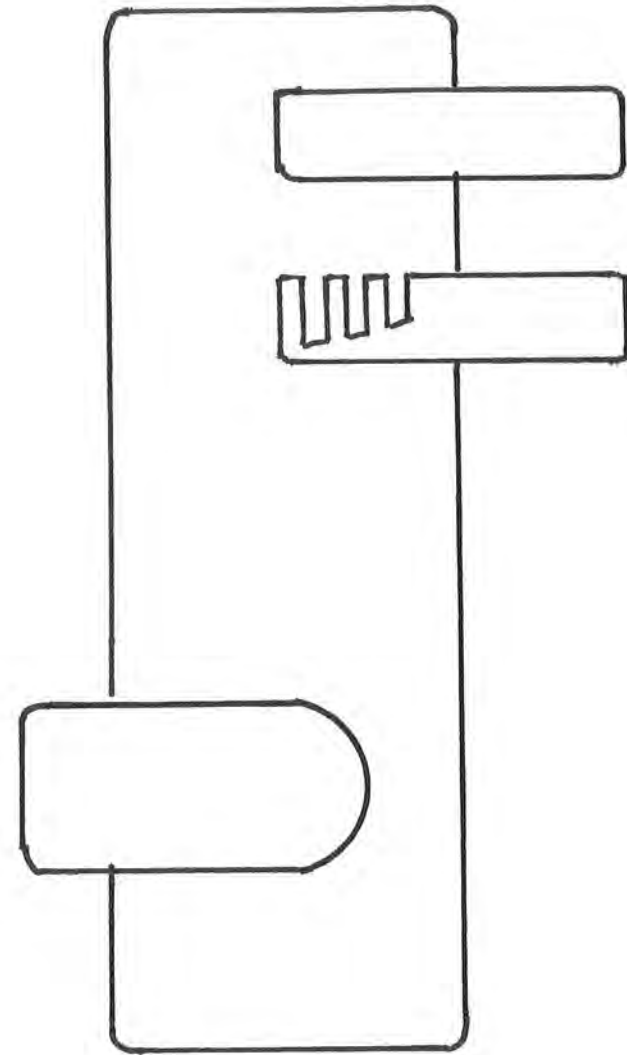
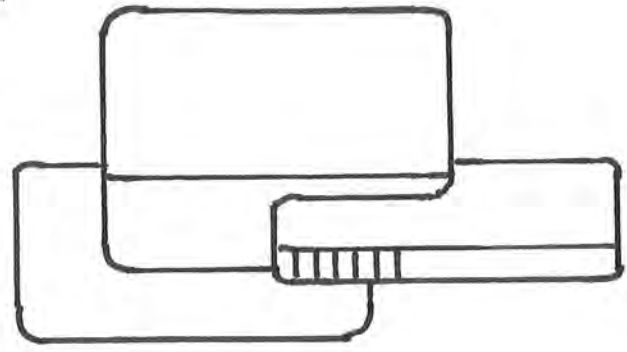
Jon Paul White #4



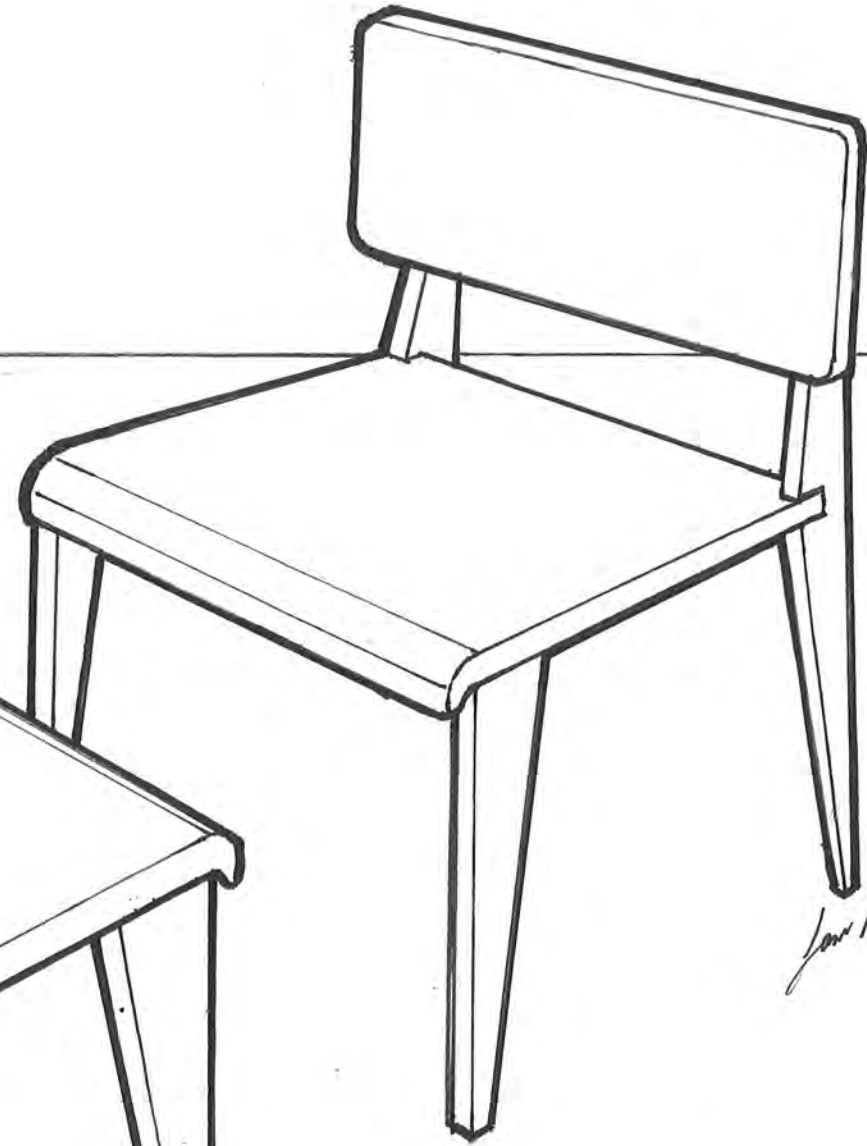
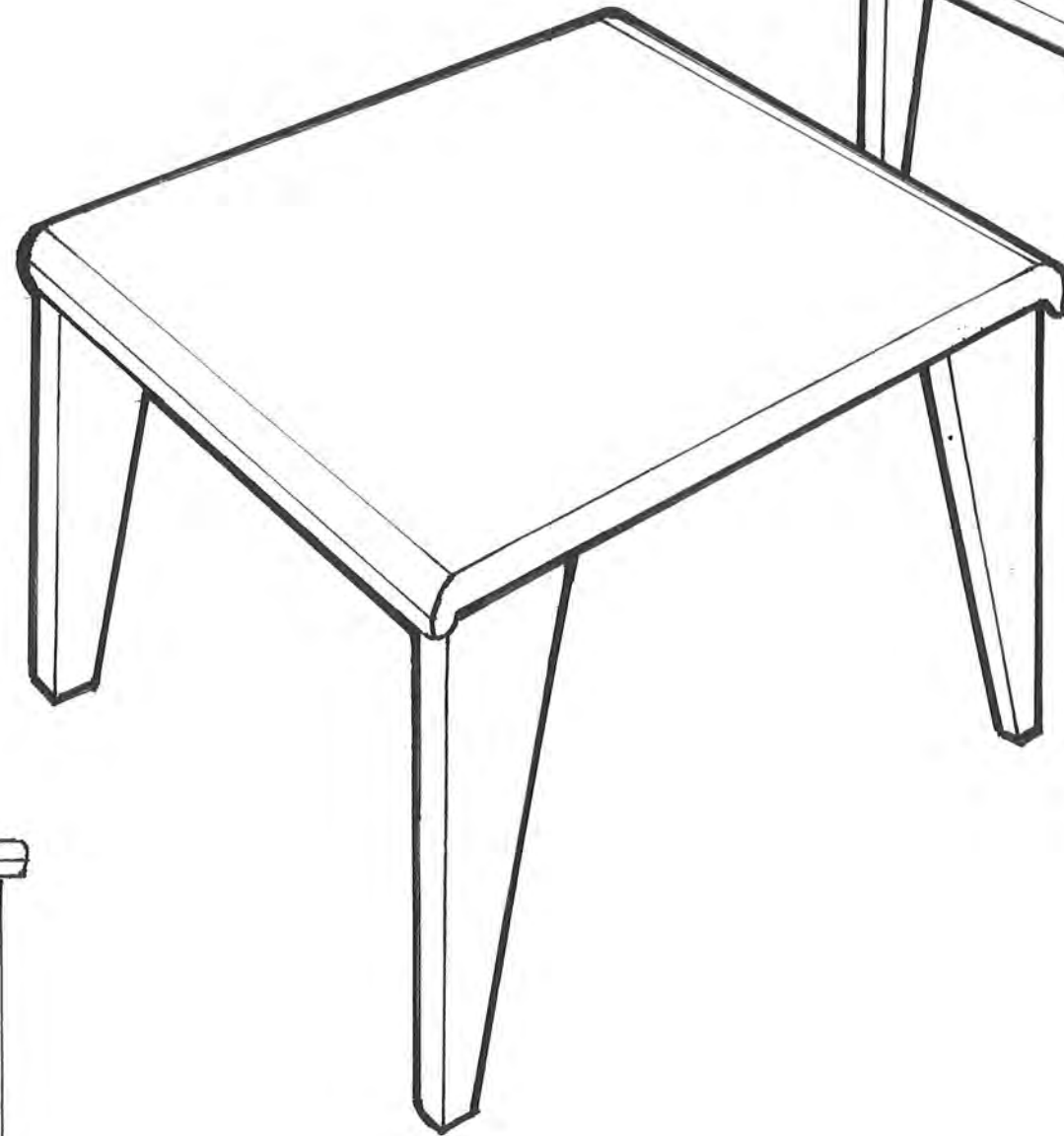
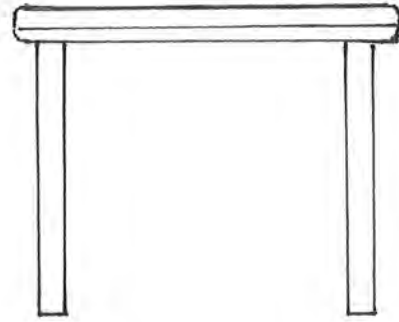
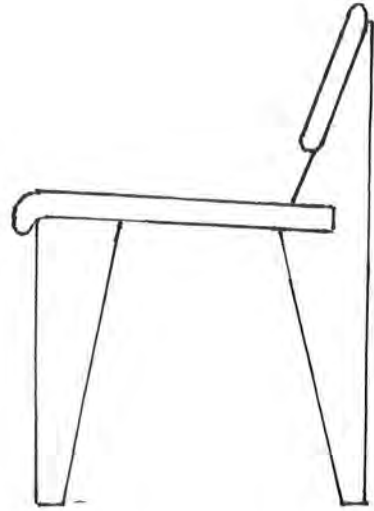
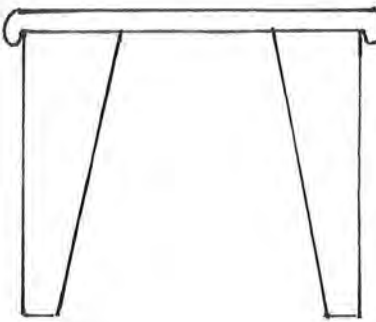
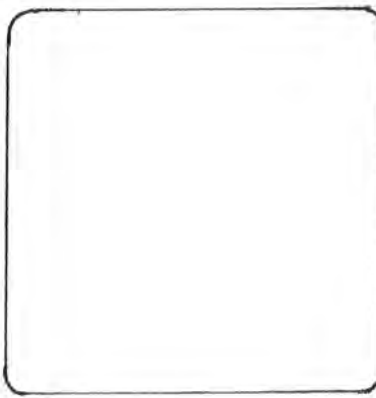
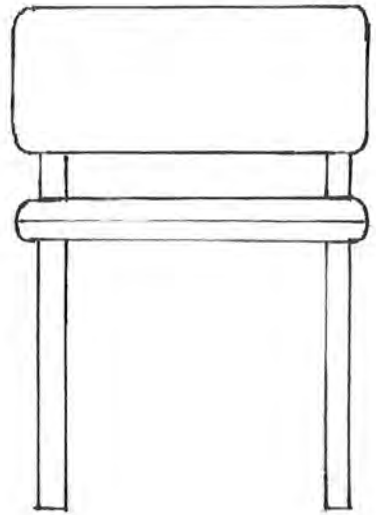
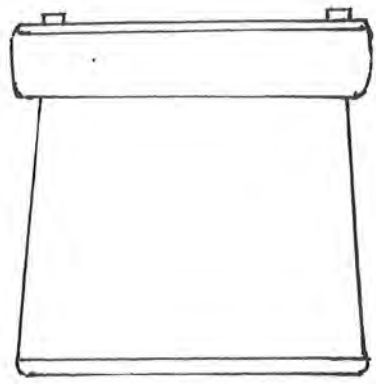
Jon Paul White #5



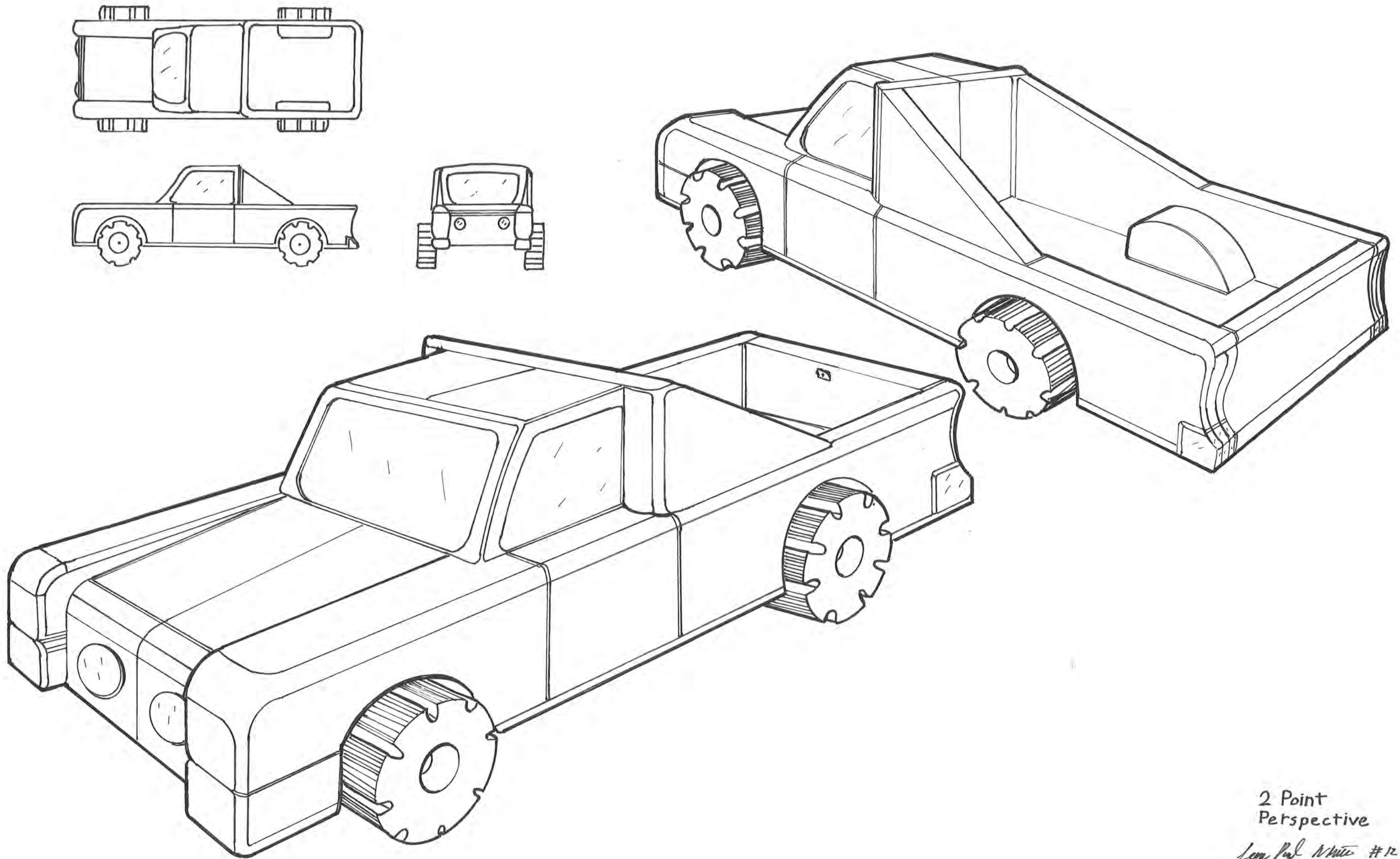
Jon Paul White #10



Jon Paul White

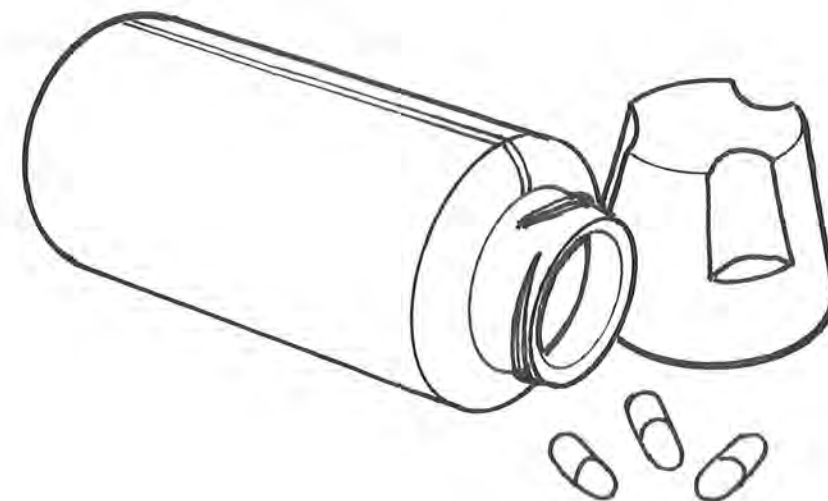
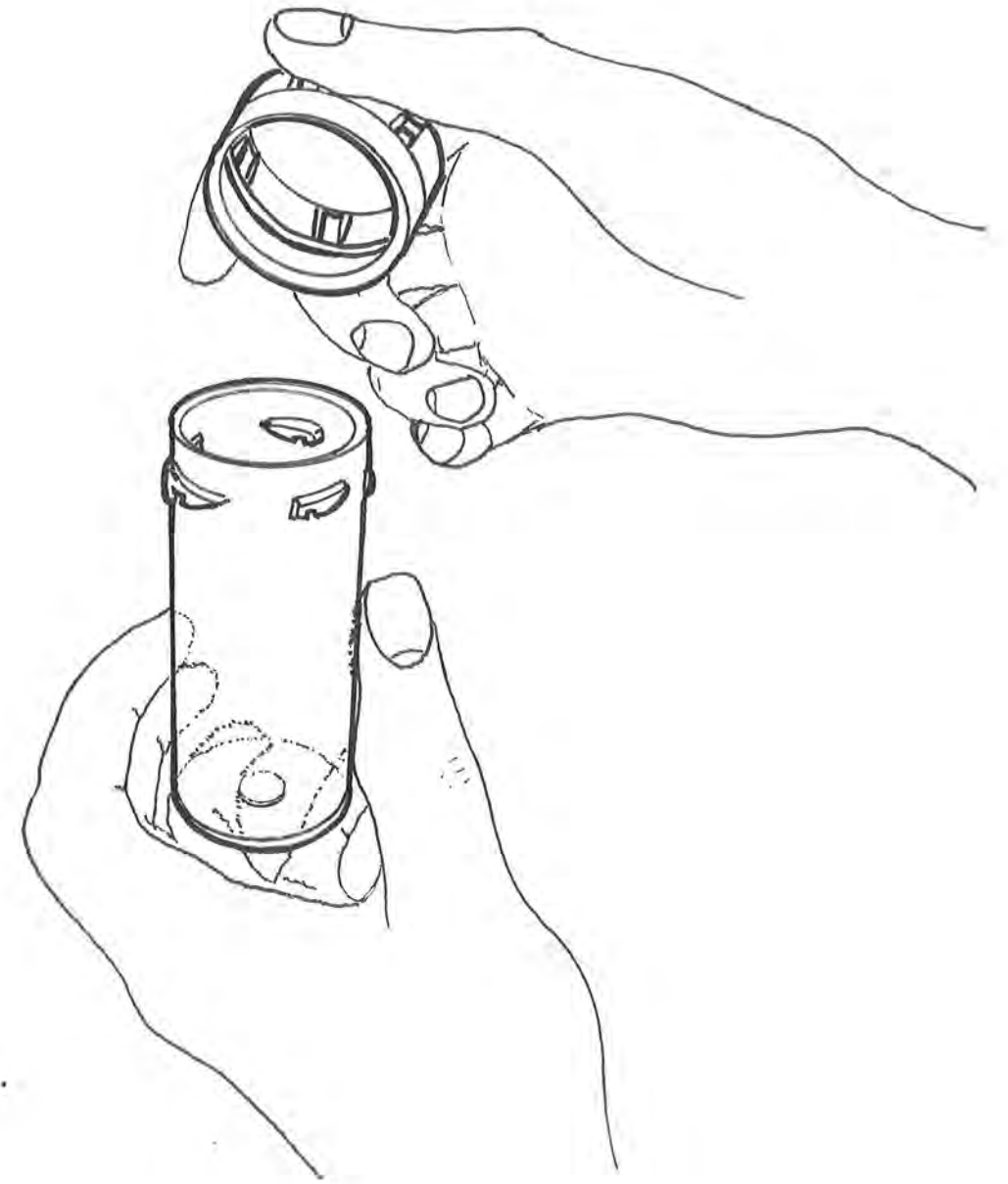


John Paul Verbits

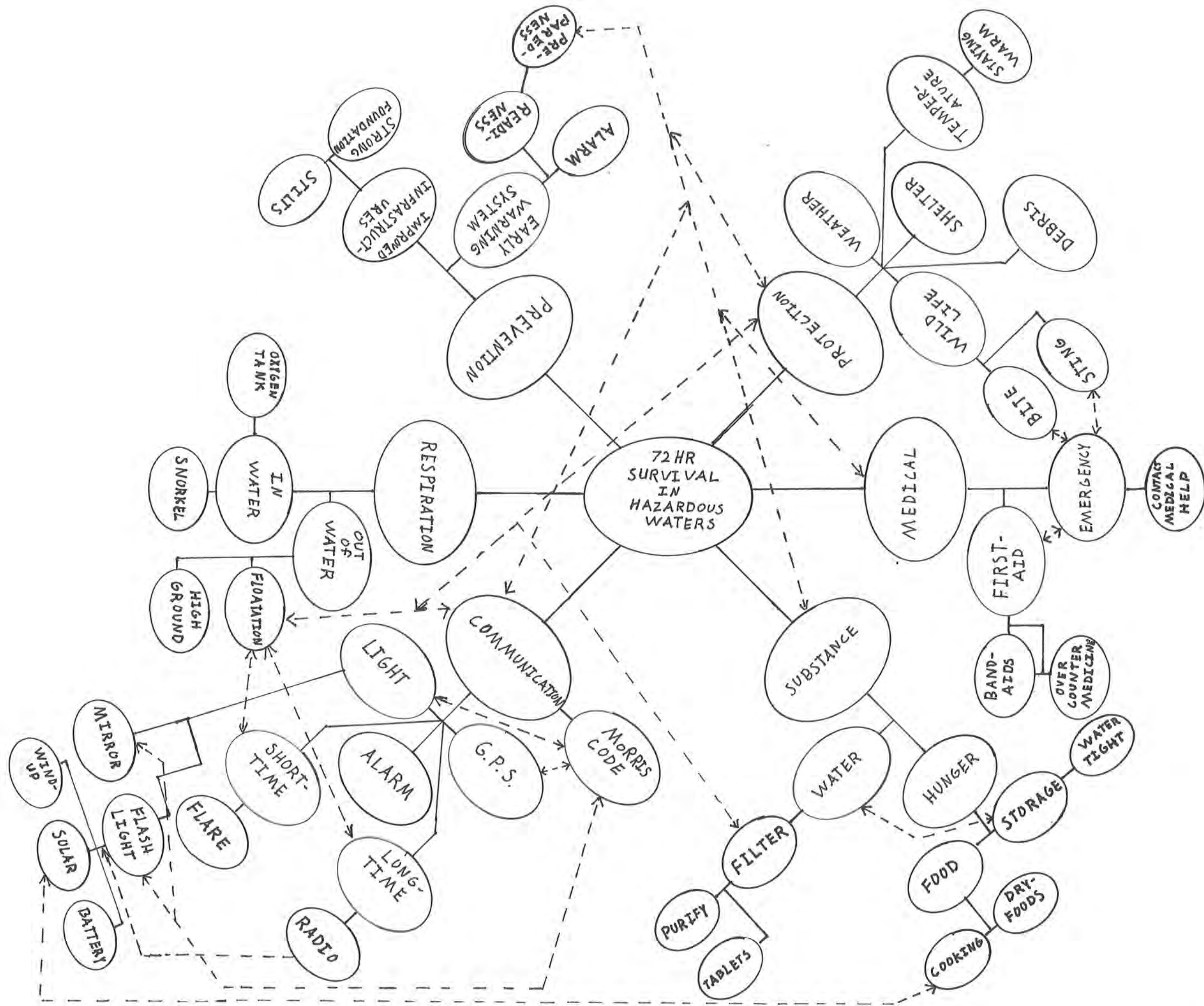


2 Point
Perspective

Jon Paul White #12

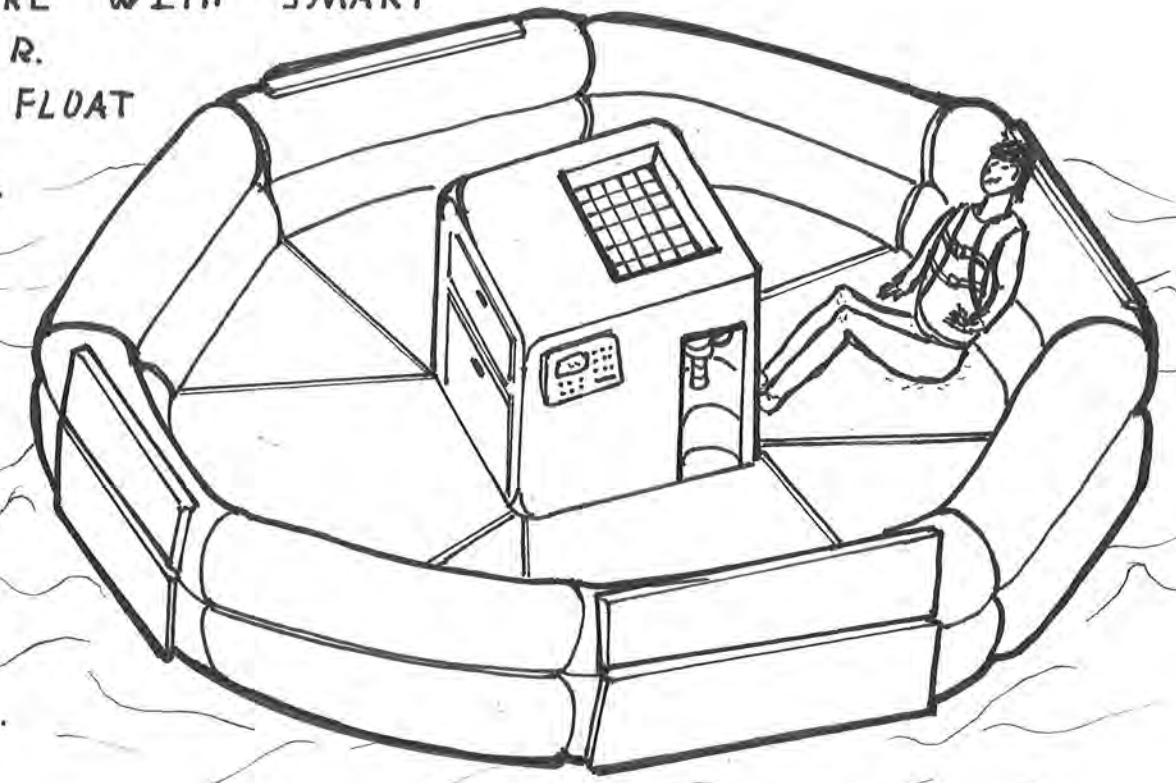


Jon Paul White

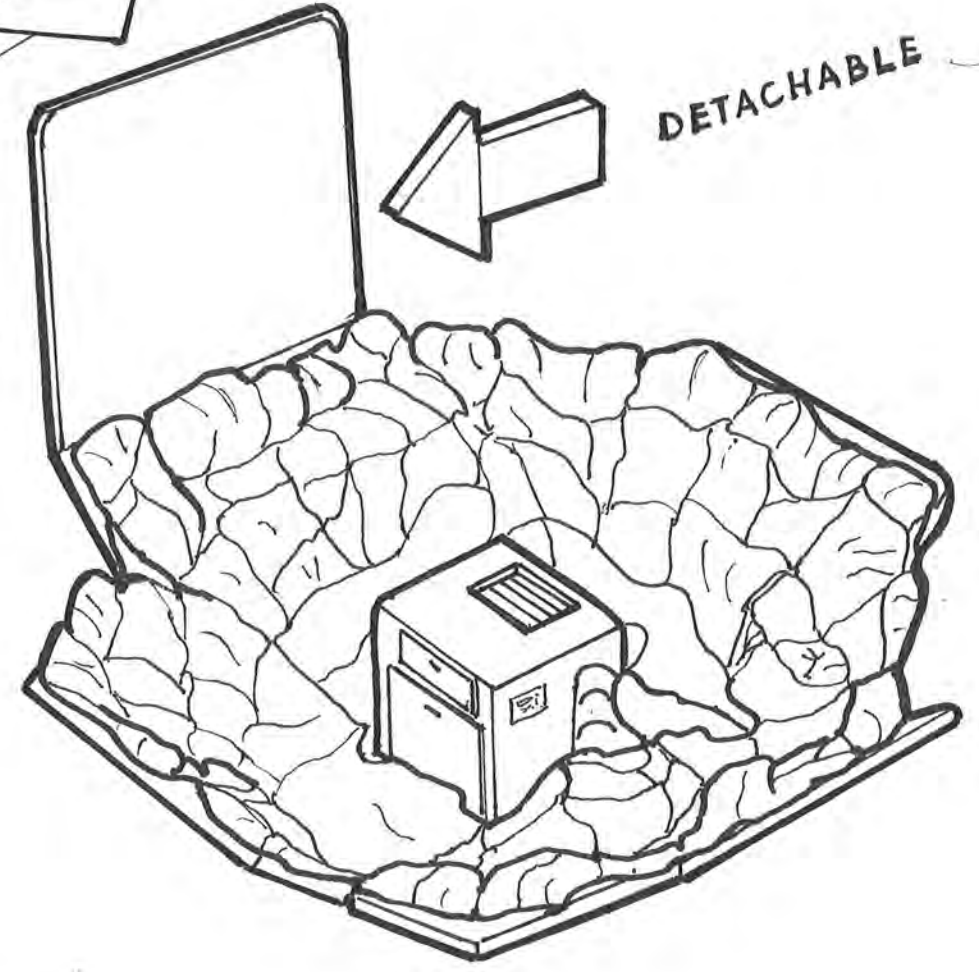
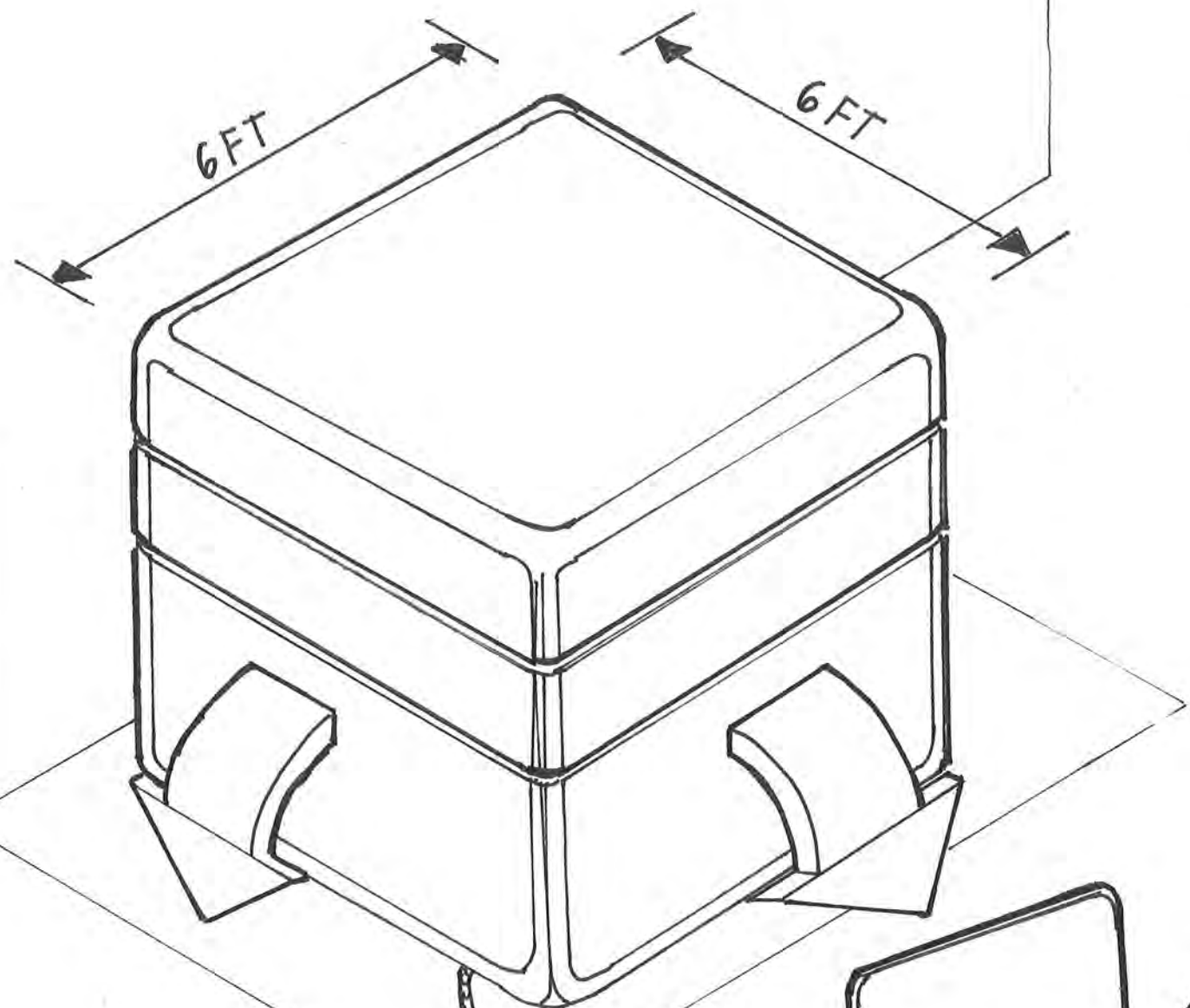


FLOAT BOX

EMERGENCY FLOATATION DEVICE MADE FOR QUICK RESPONDS EVACUATIONS. ACTIVATE FLOAT BOX ANYWHERE WITH SMART PHONE OR COMPUTER. BUILT IN GPS ON FLOAT BOX. GPS Tracked BY YOU AND COAST GUARD.



FLOAT BOX HAS WATER PURIFIER, FOOD, SOLAR POWER, SAFETY BOX, EMERGENCY FIRST AID, 40 FEET OF TOUGH CORD ANCHORED TO HOUSE FOUNDATION.



S.O.S SUIT

DRY SUIT WITH REENFORCED KEVLAR ON SHOULDERS, ELBOWS, AND BACK. ATTACHED TO S.O.S SUIT: BACKPACK WITH LED FLASHLIGHT, OXYGEN TANK, FLOATATIONS, DRY PACK, FIRST AID, AND A TOOL KIT.

ALSO BUILT INTO SLEEVE: GPS FOR COAST GUARD.



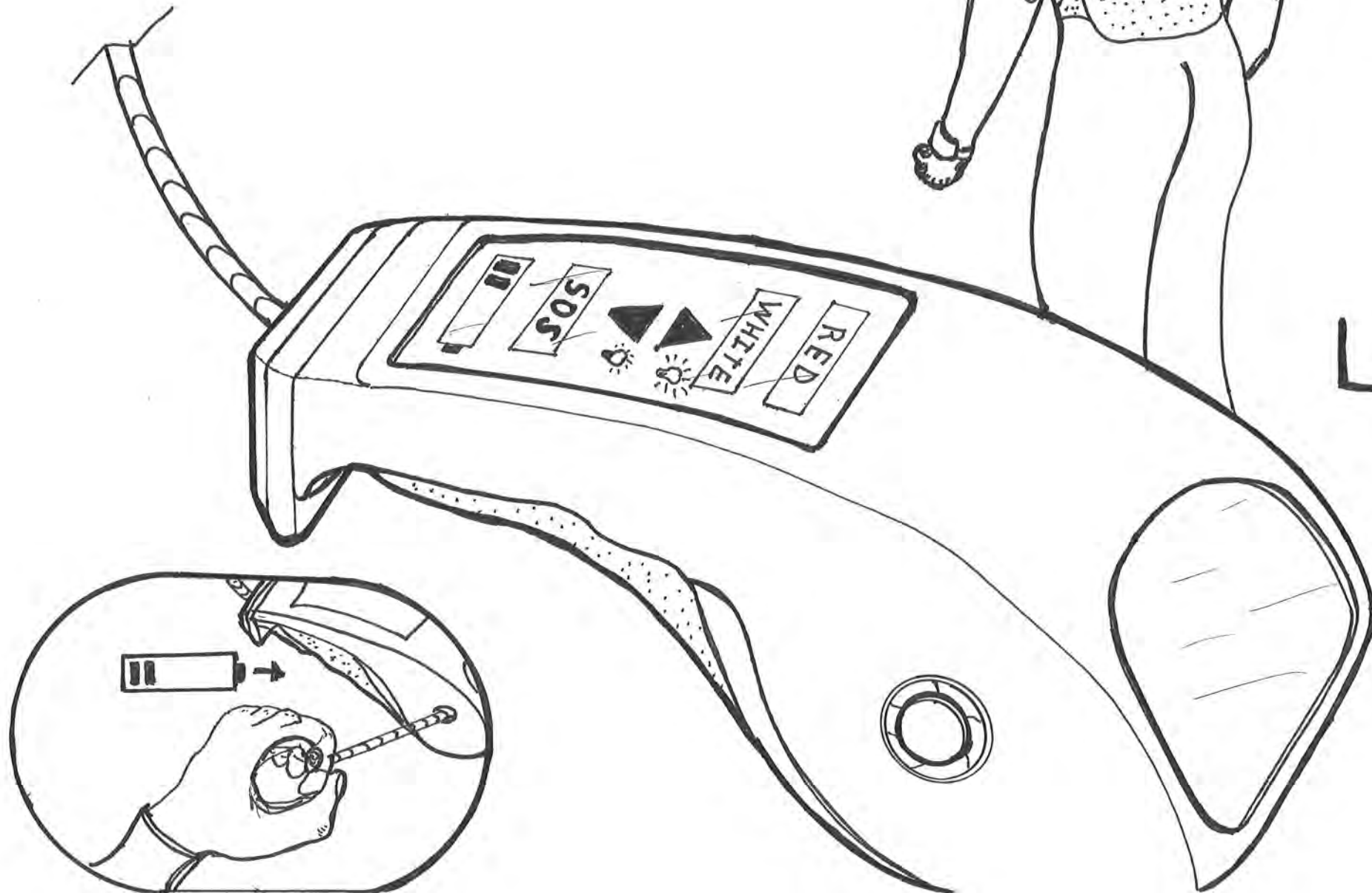
HELMET

- STRONG HELMET. KEEPS FROM HEAD INJURY.
- REENFORCED KEVLAR
- REFLECTIVE TAPE ON TOP TO BE SIGHTED

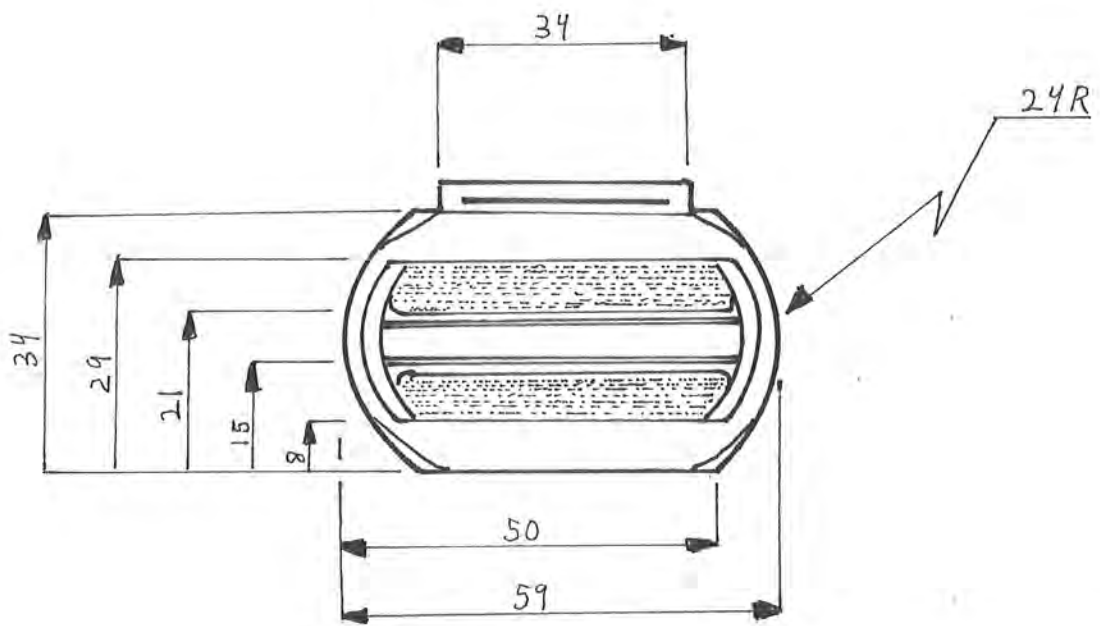


LED LIGHT

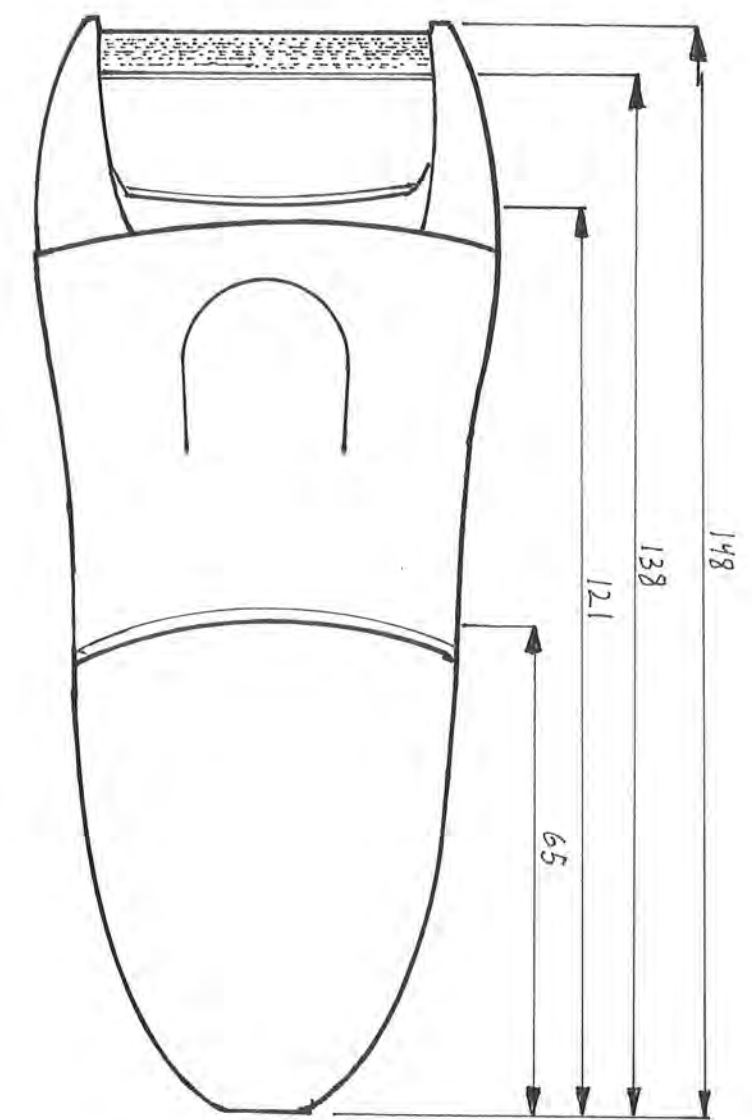
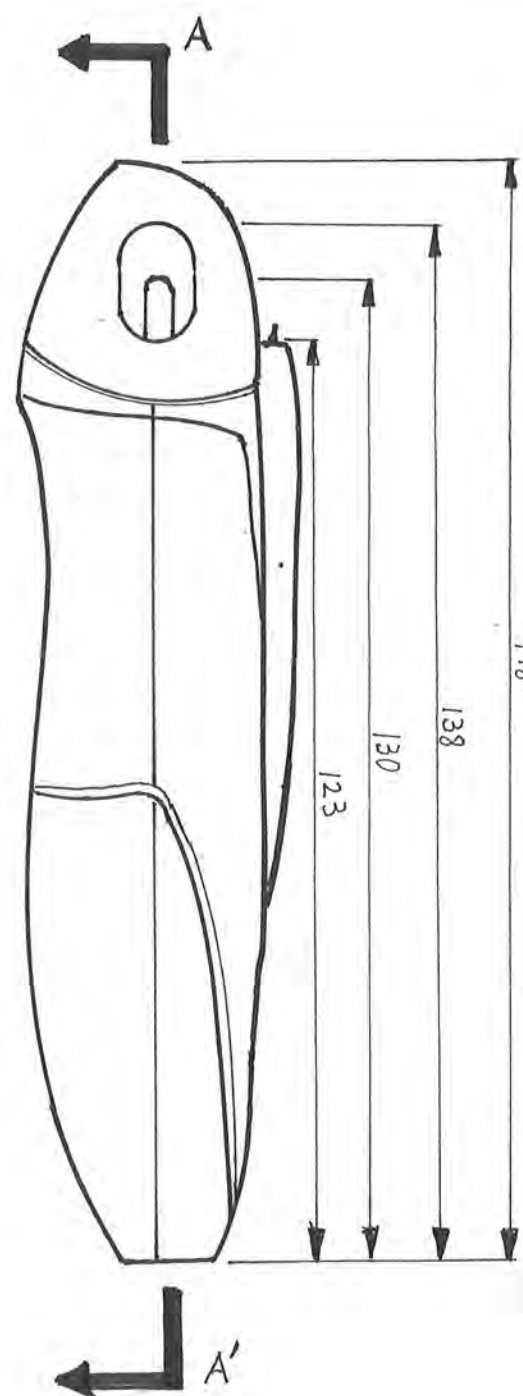
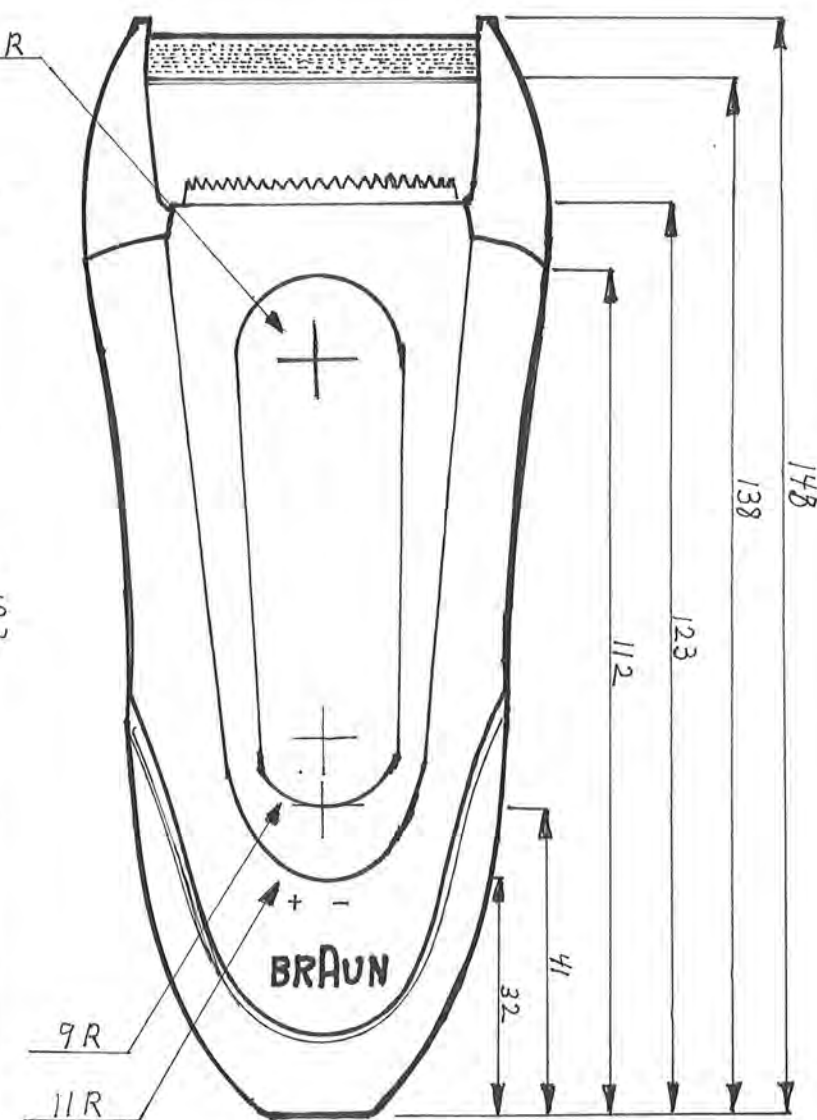
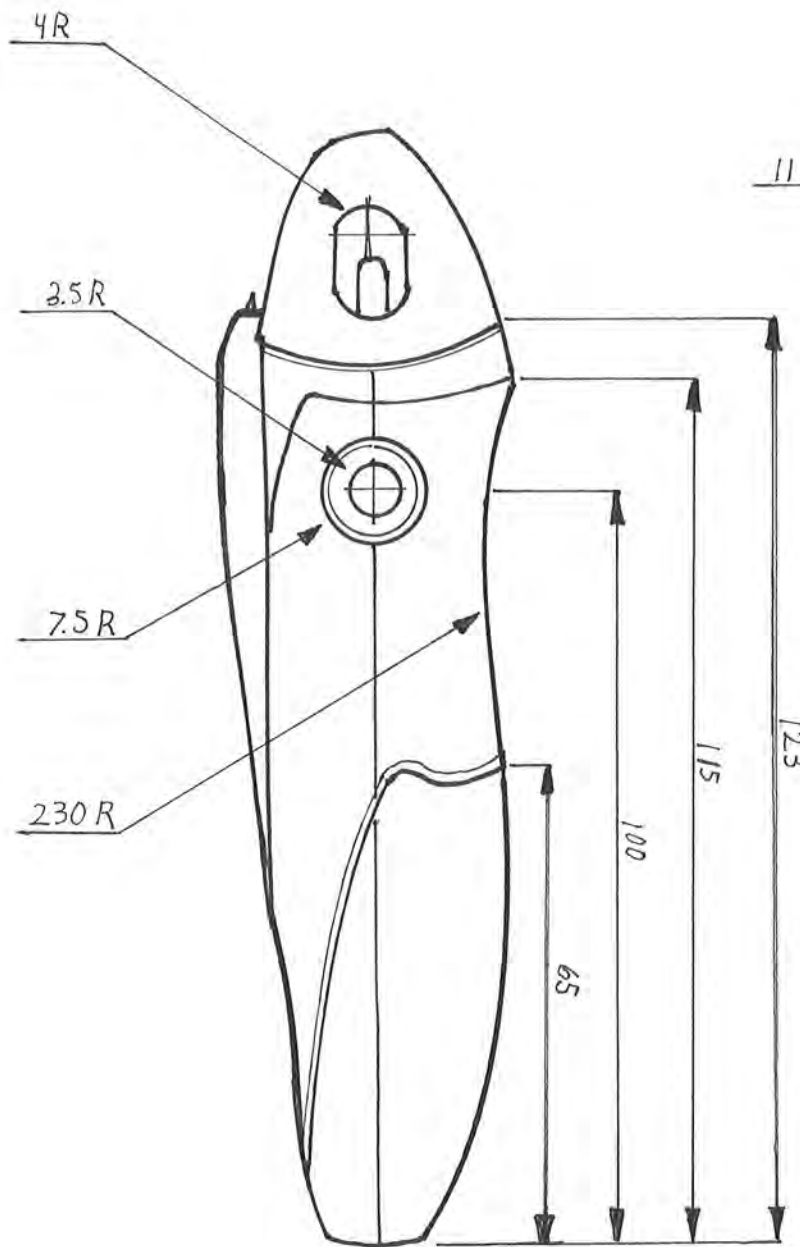
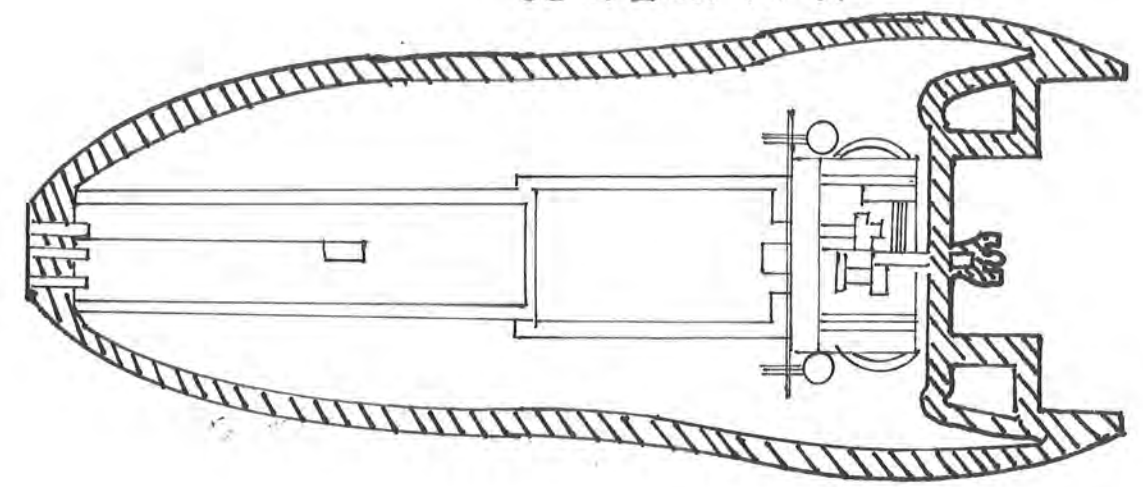
- LED LIGHT ATTACHED TO S.O.S SUIT
- GRIPPY HANDLE FOR MORE CONTROL
- SOS BUILT IN
- WATER PROOF UP TO 300 FT
- PULL CORD TO CHARGE UP BATTERY

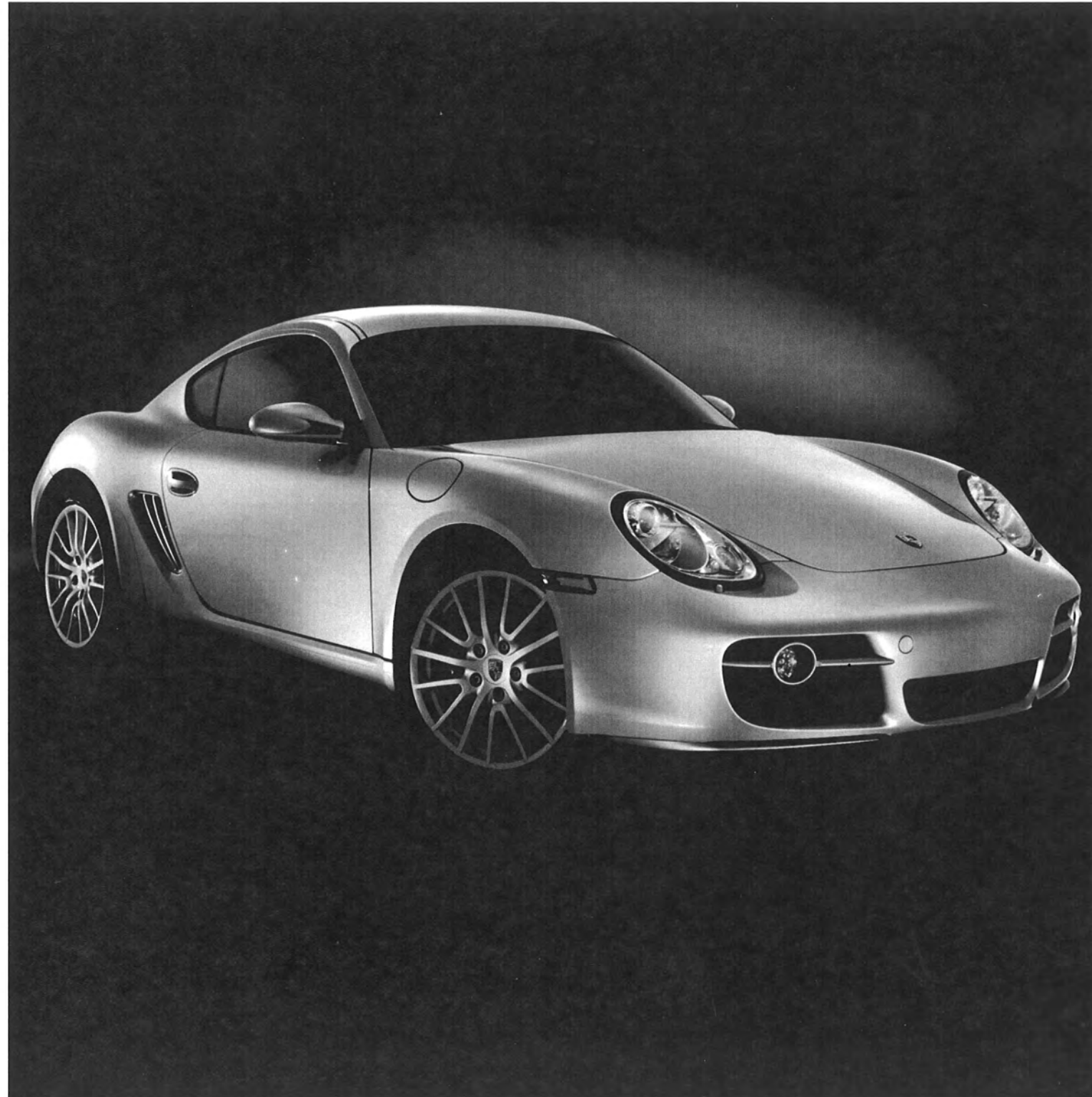


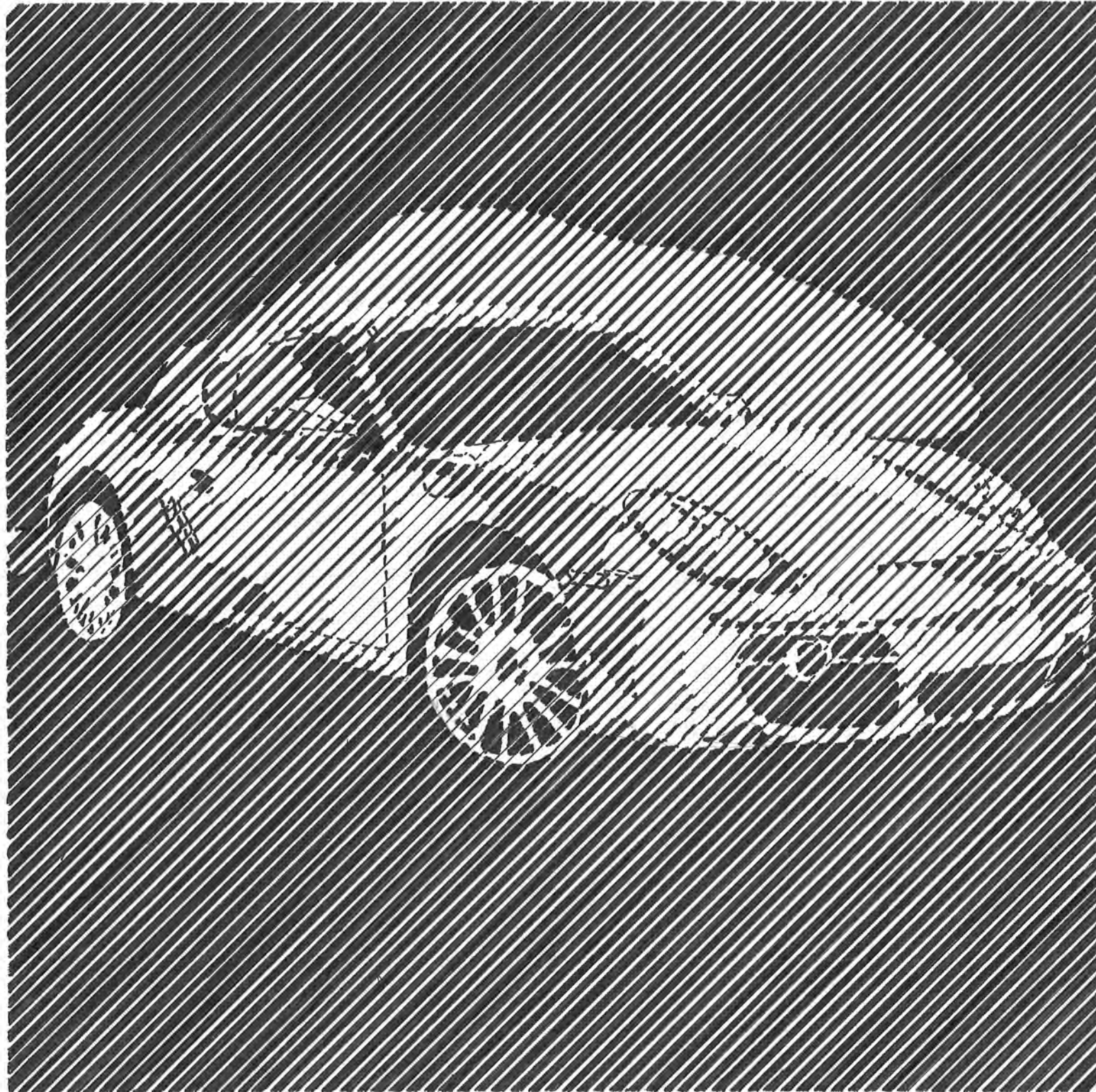
IND 122
 Jon Paul White
 Scale: mm Ratio: 1:1



SECTION A-A'



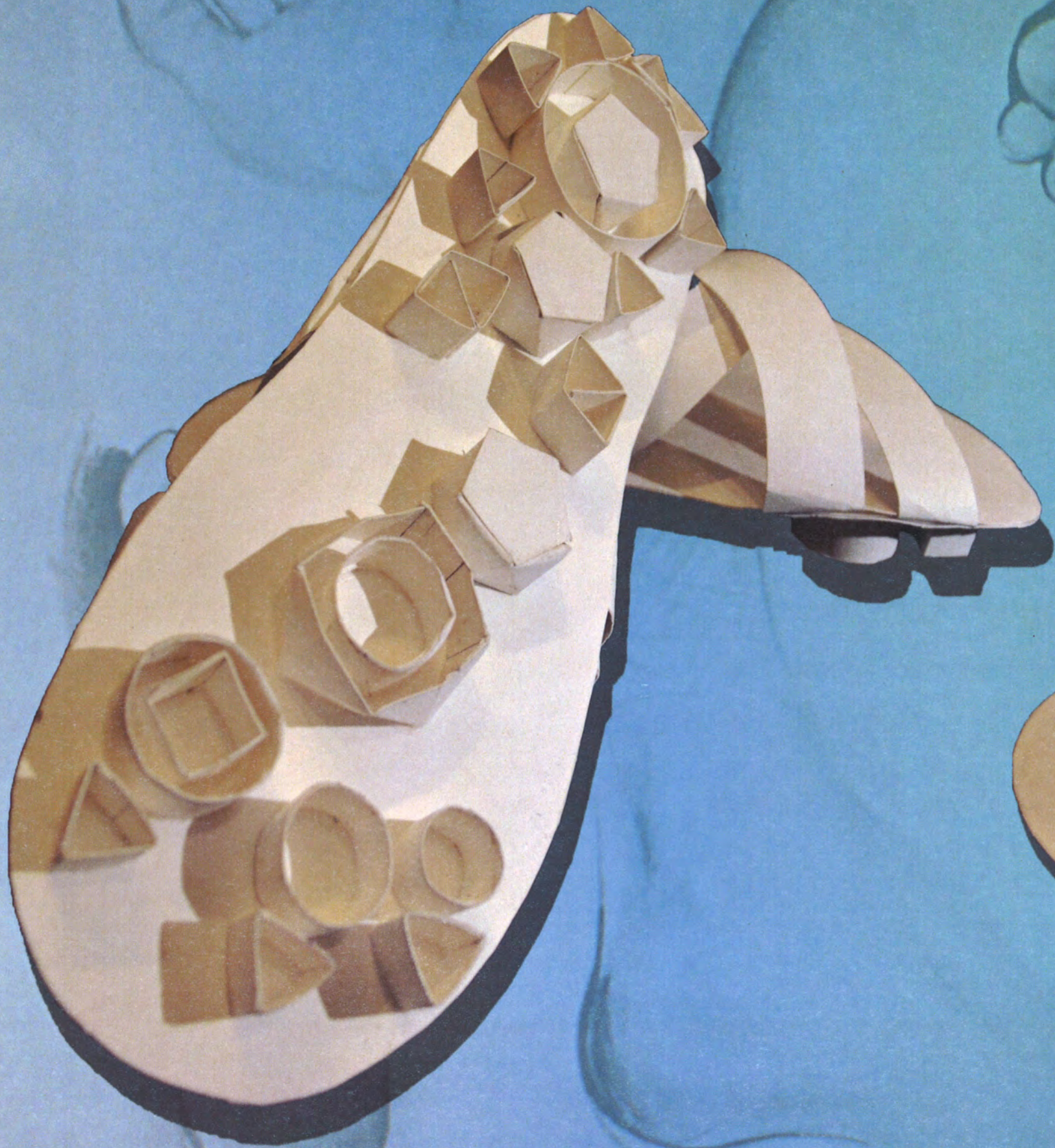




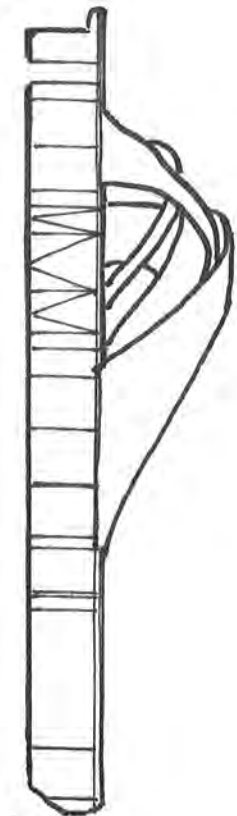
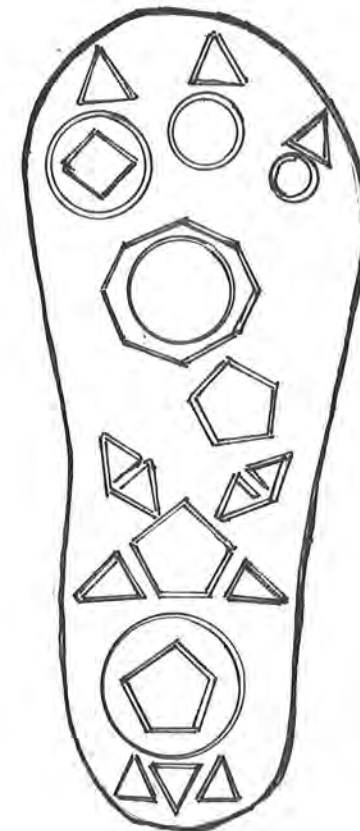
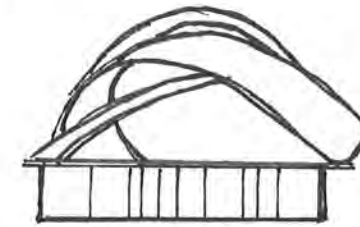
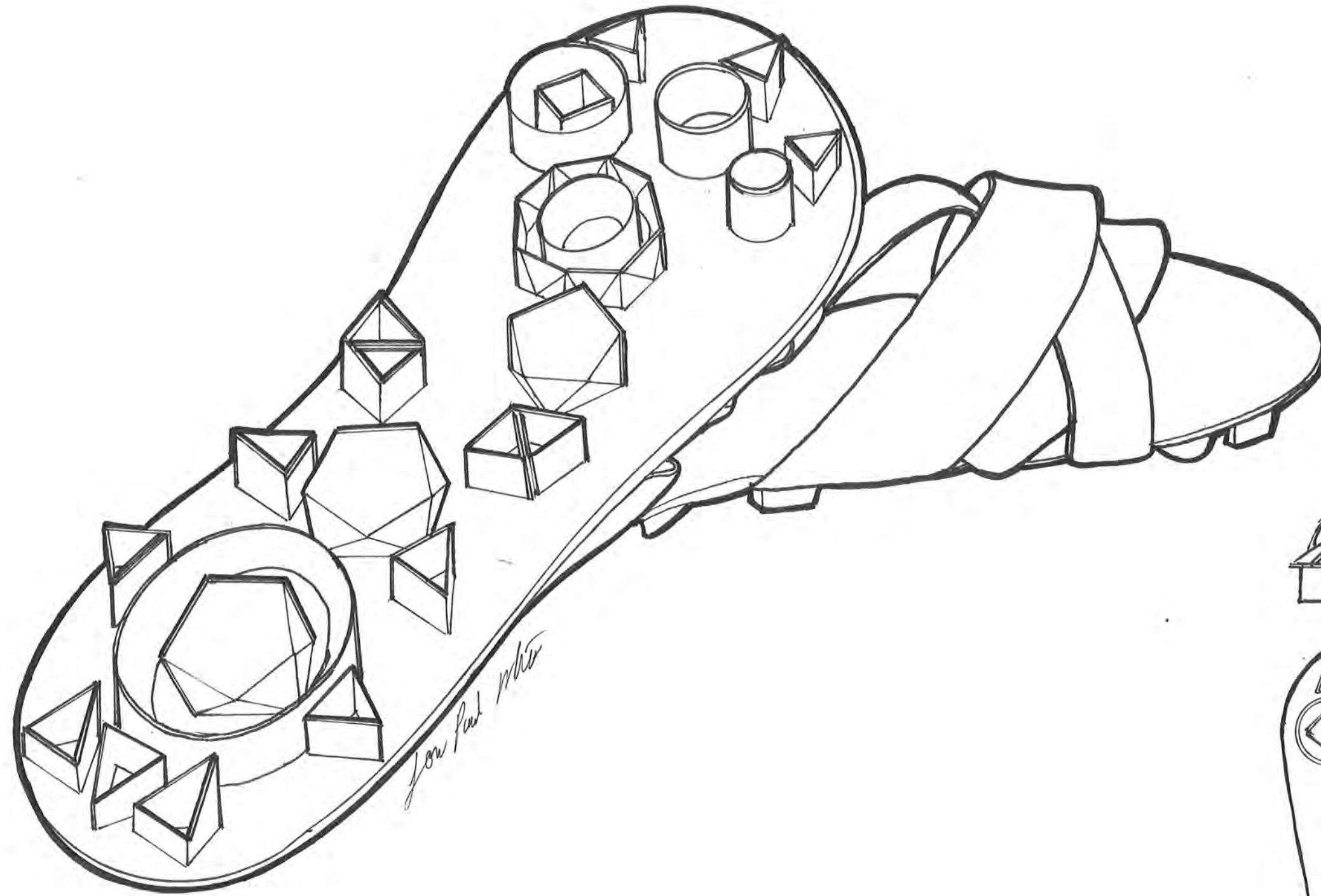
for Paul White
IND 122 1-31-12

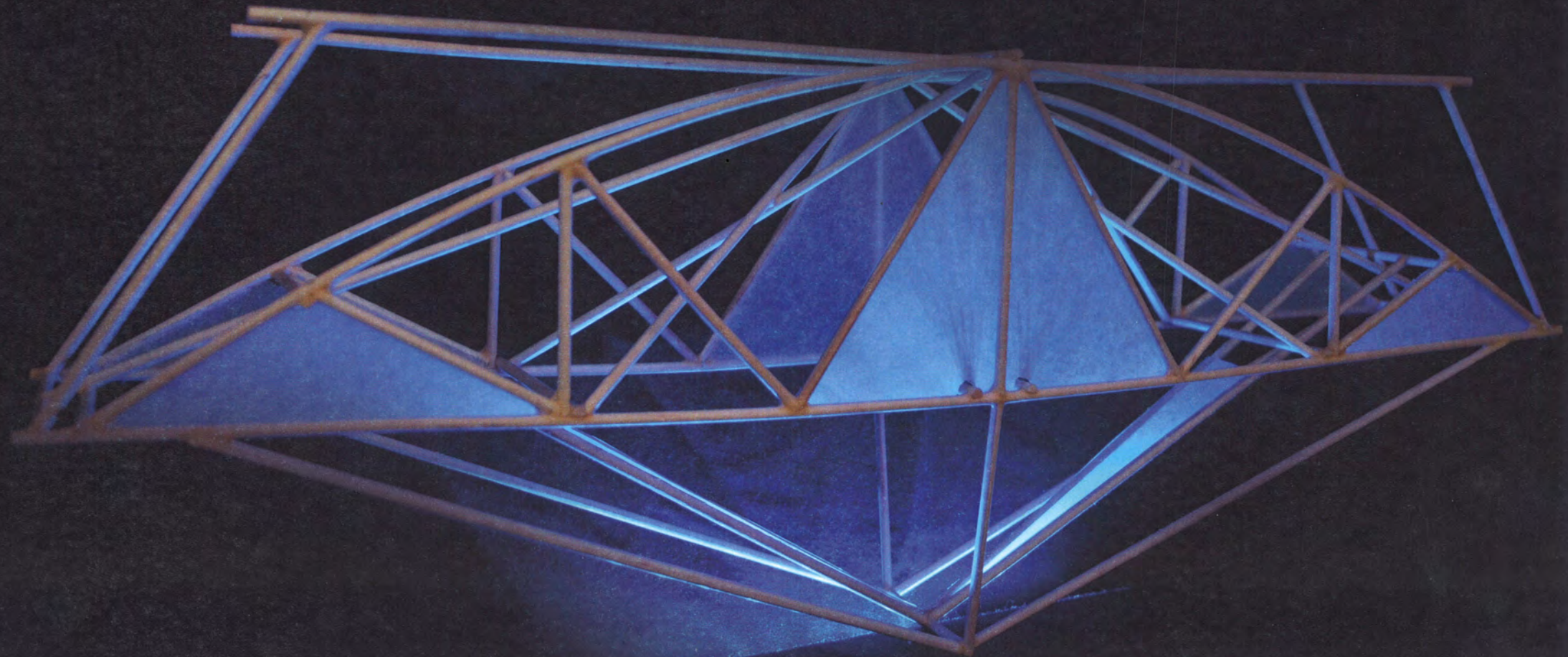
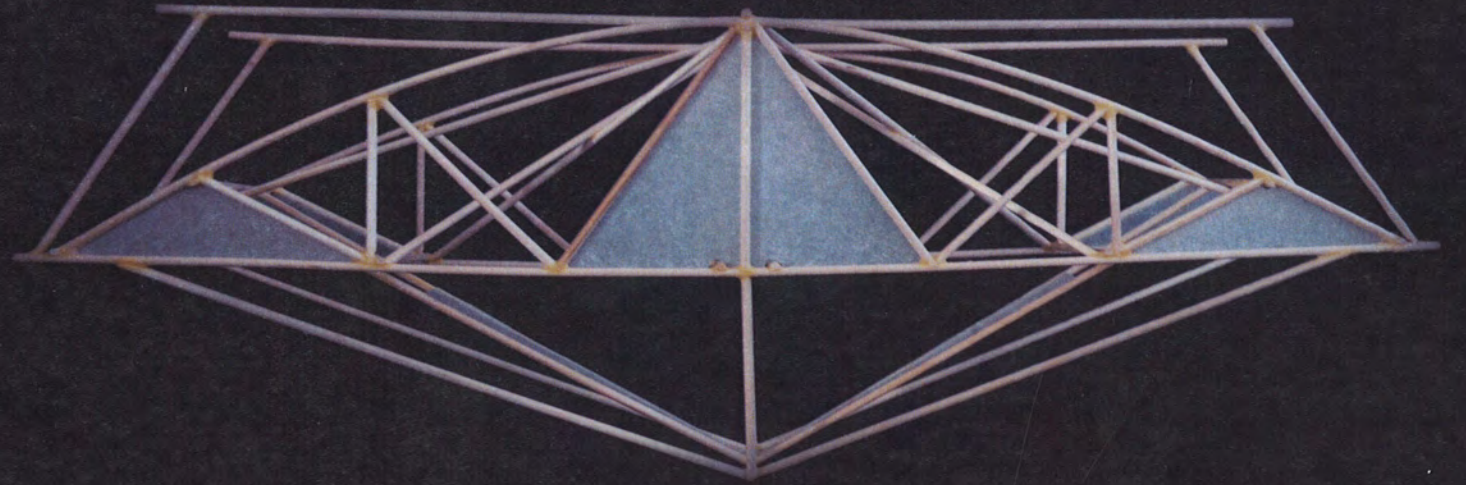
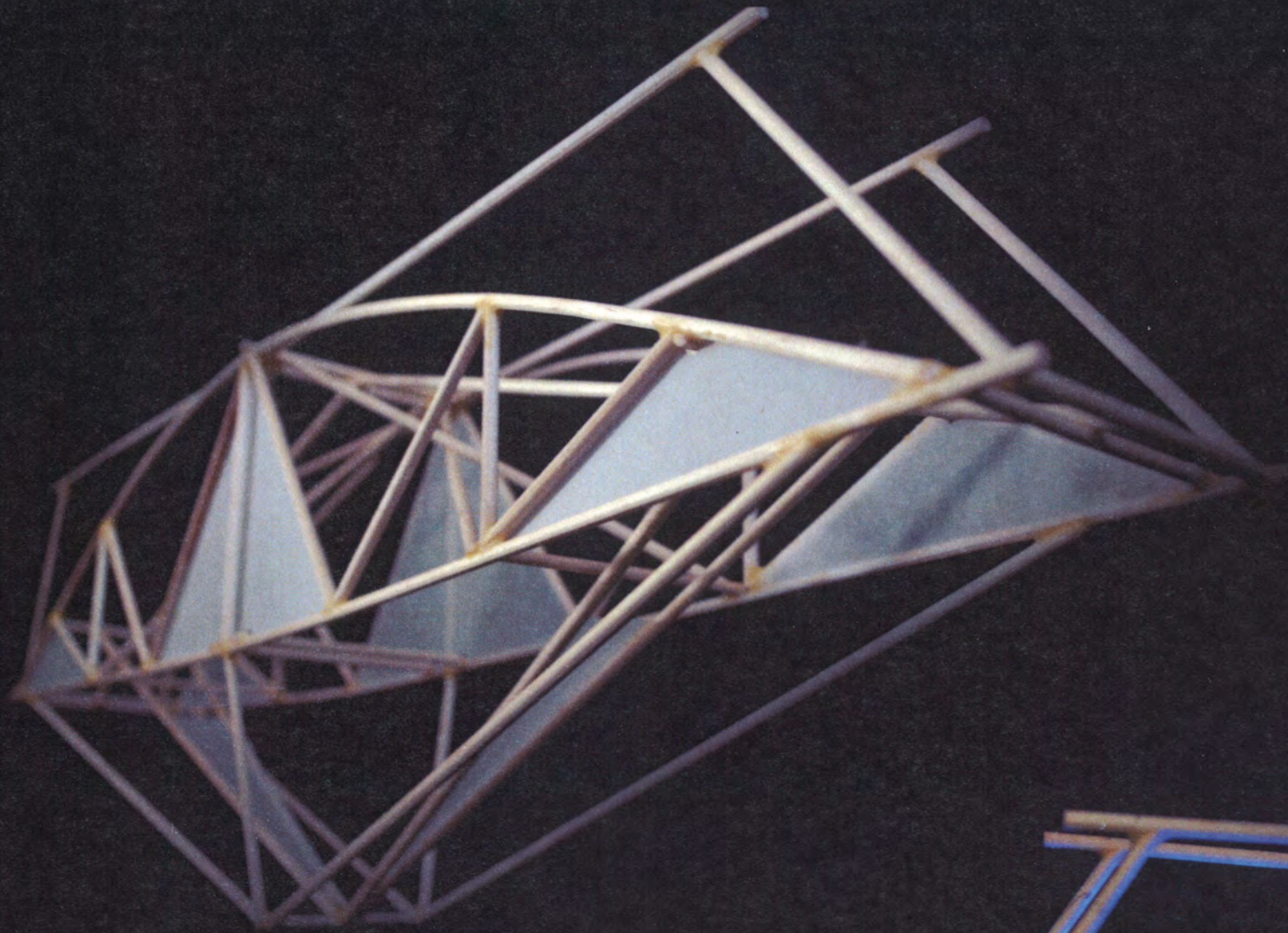
Paper Sandal

By Jon Paul White



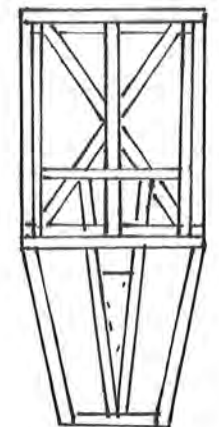
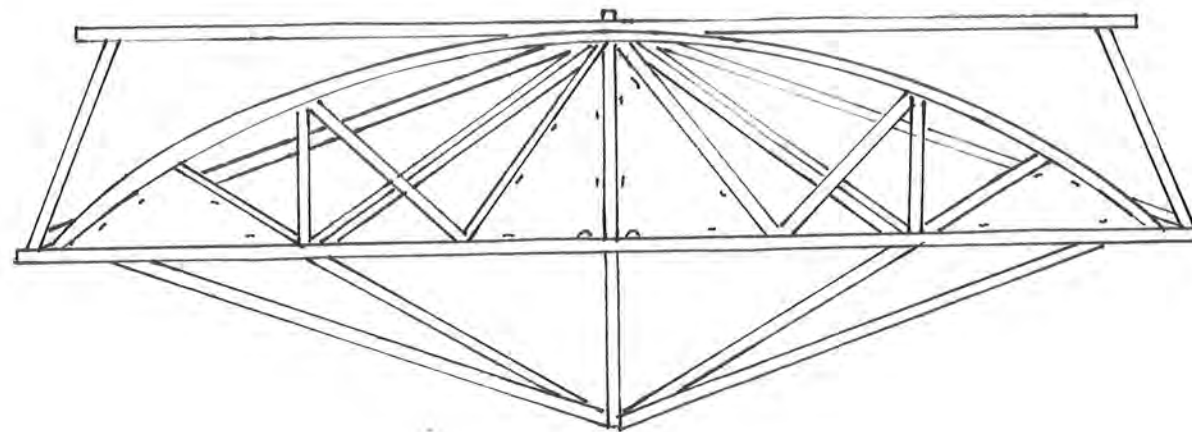
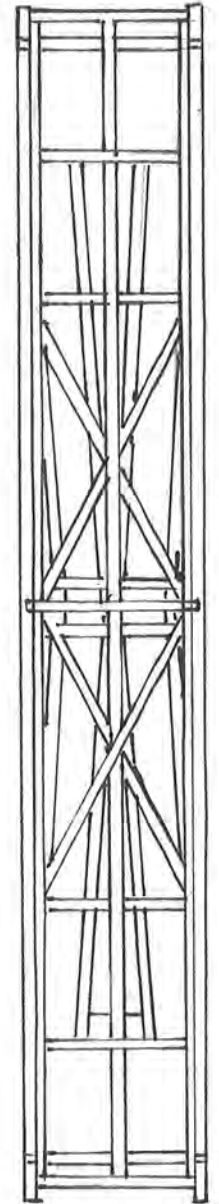
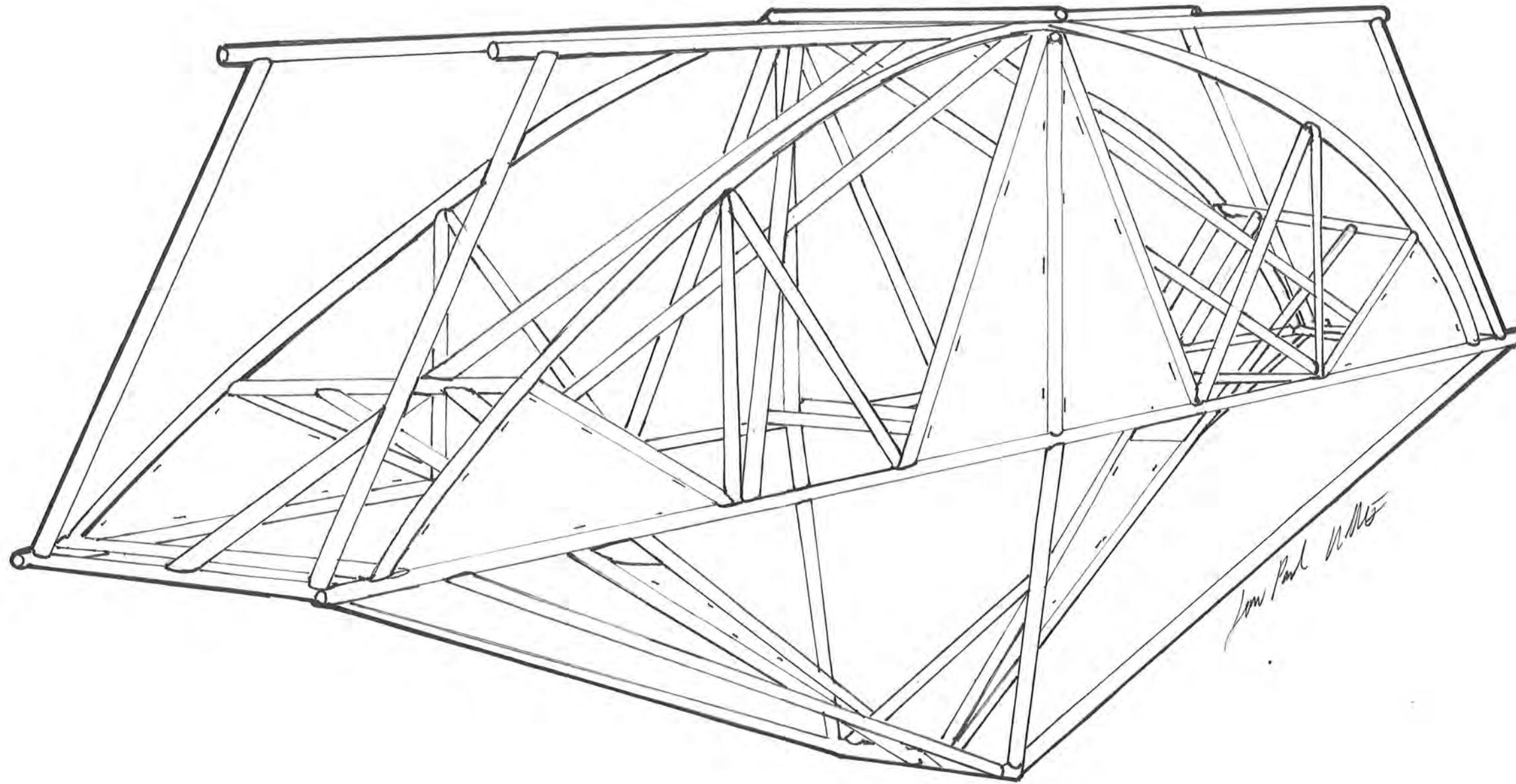
IND 122
ASSIGNMENT # 4
2-8-12
Jon Paul White



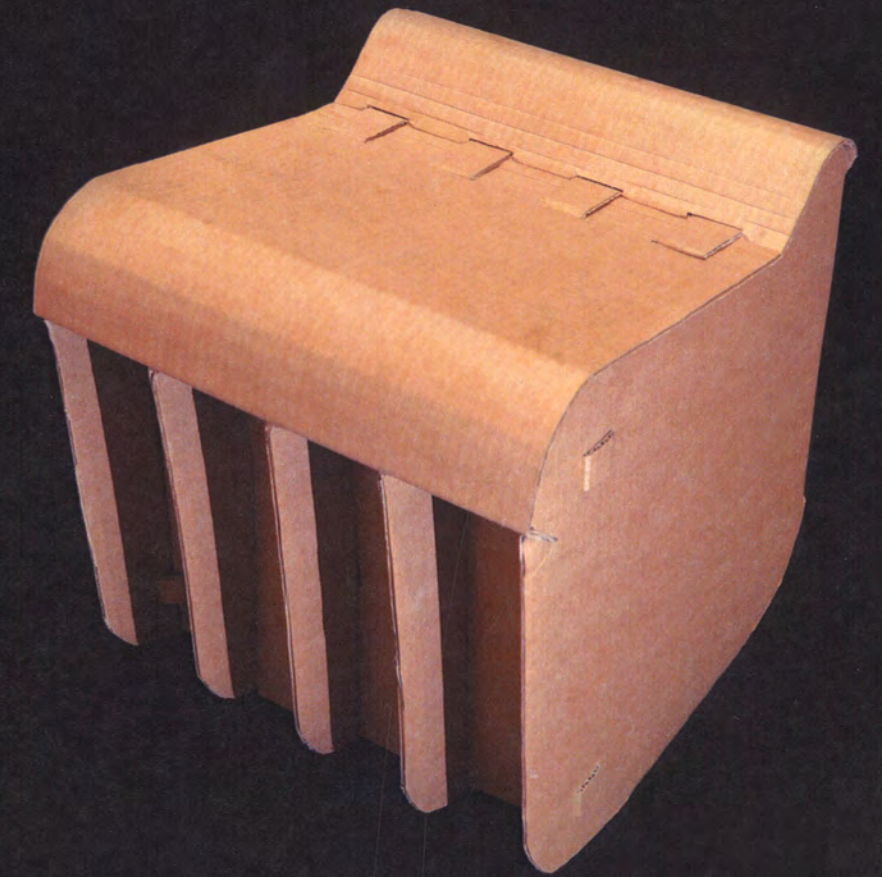
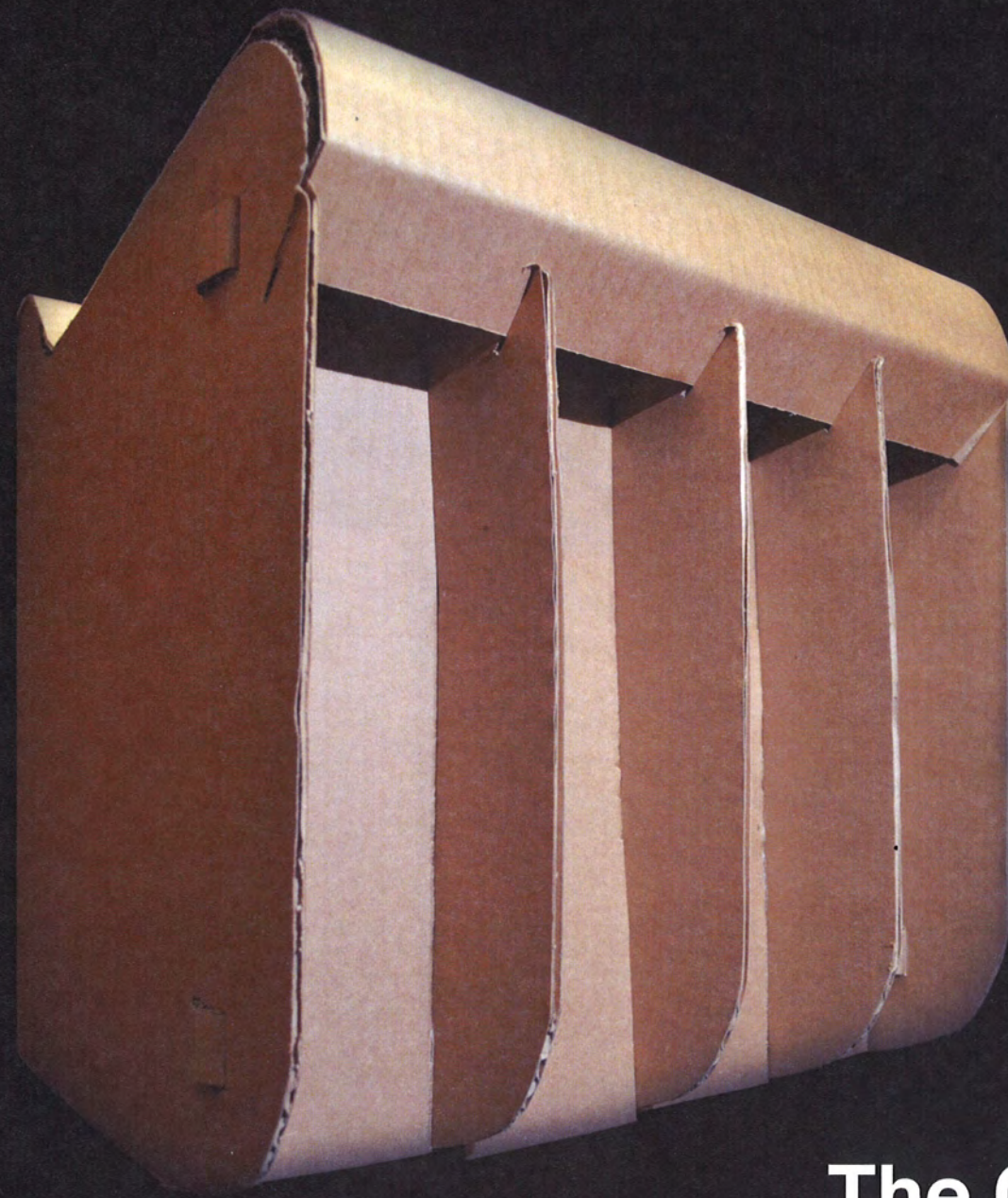


Weight: 1.7 oz
Load: 55 lbs.

**By Jon Paul White
& Jason Dewease**

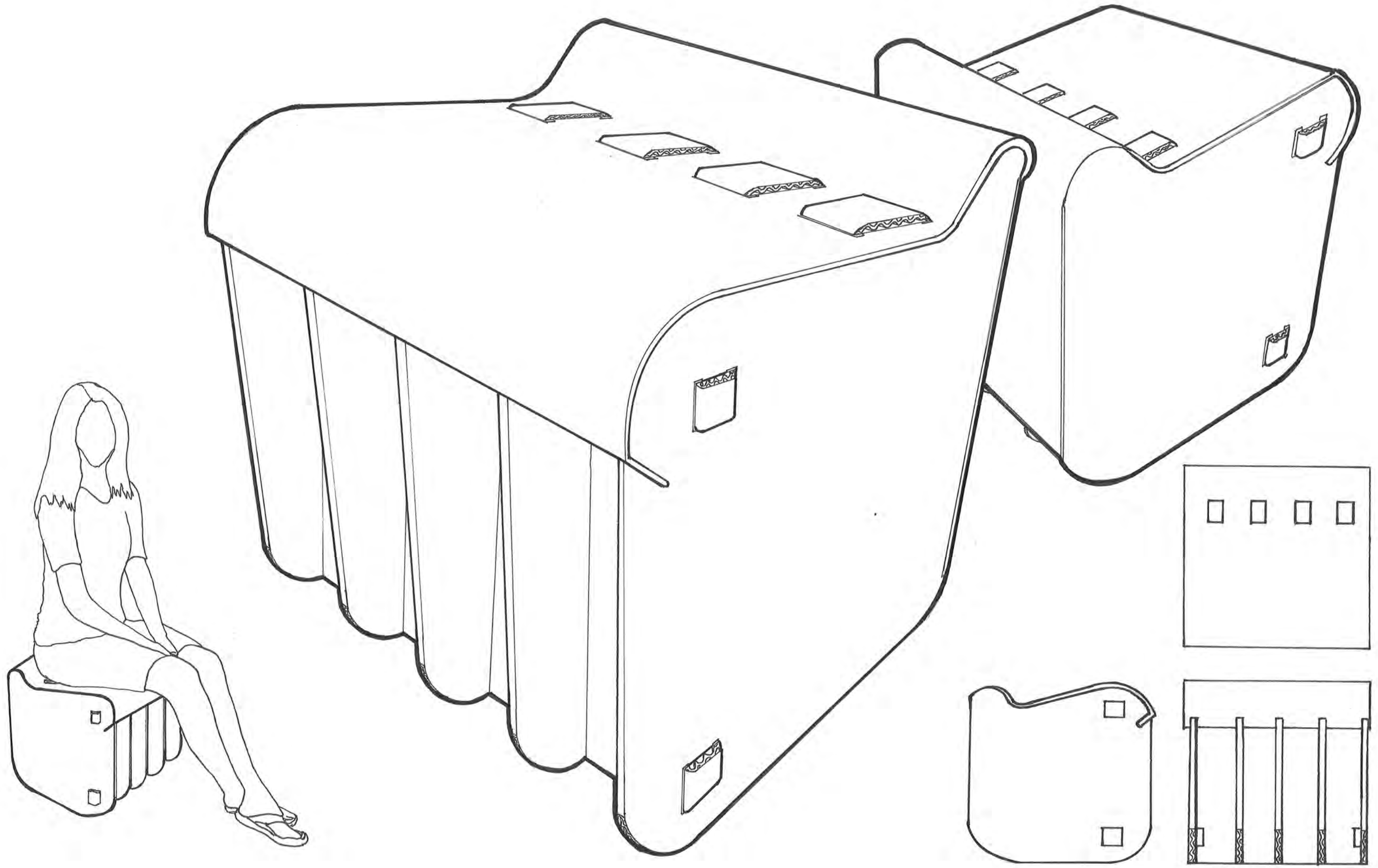


#5
2-21-12
Jon Paul White

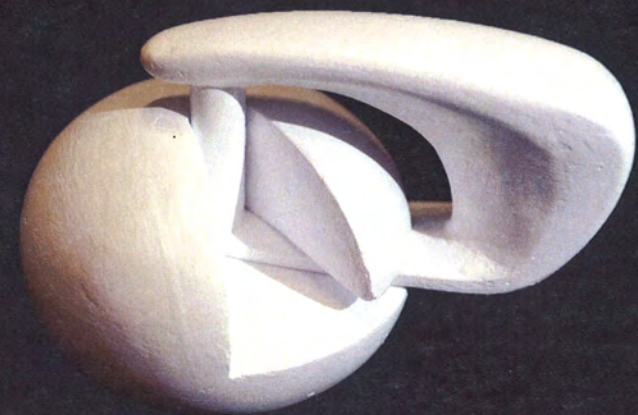
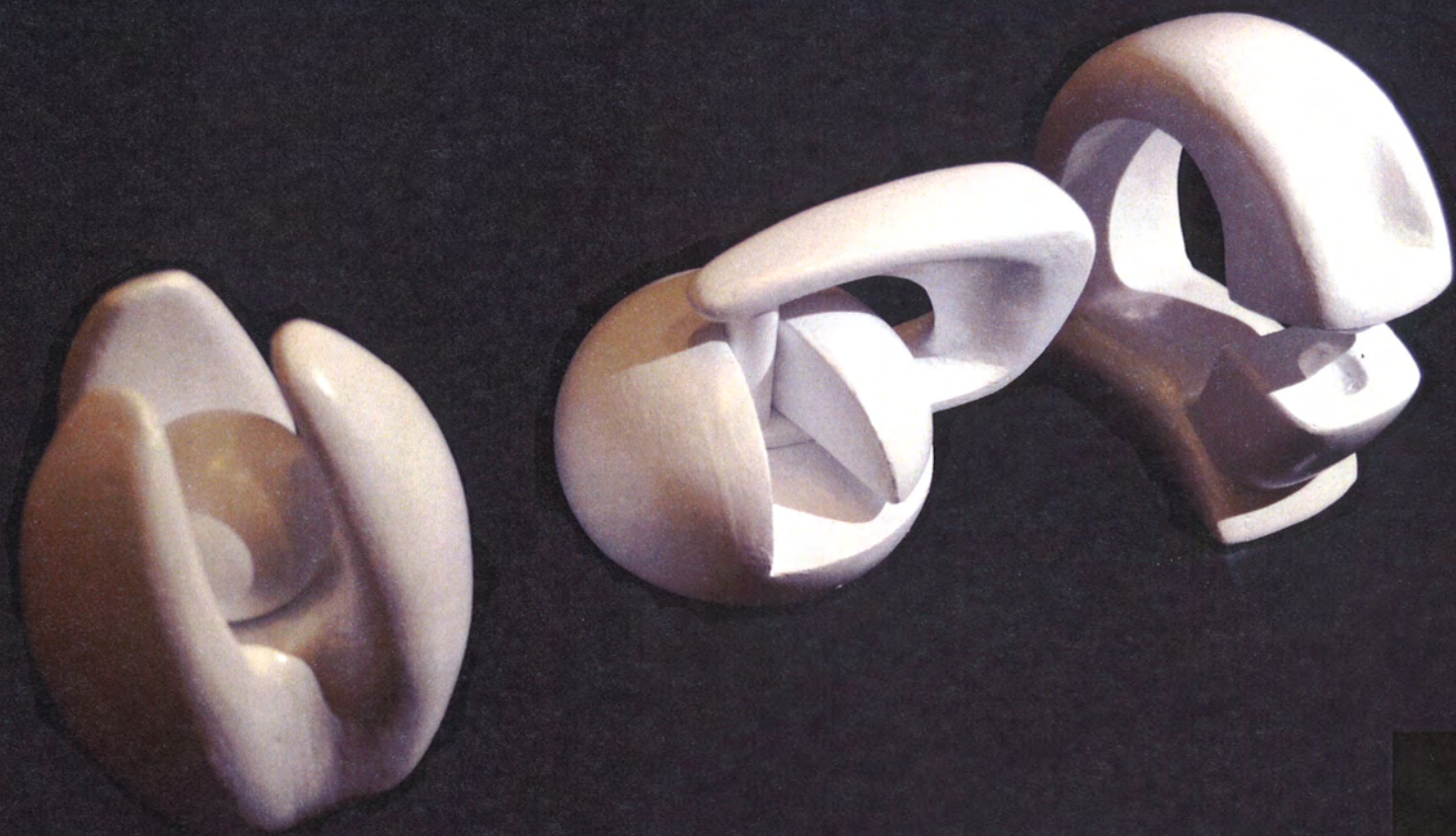


The Cardboard Rocking Stool

By Jon Paul White
& Jonathan Wing



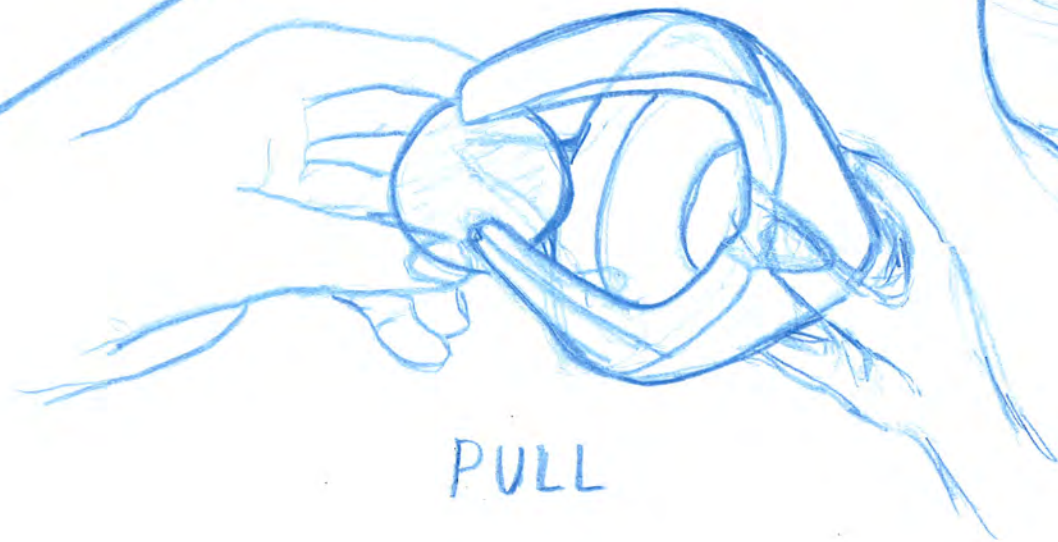
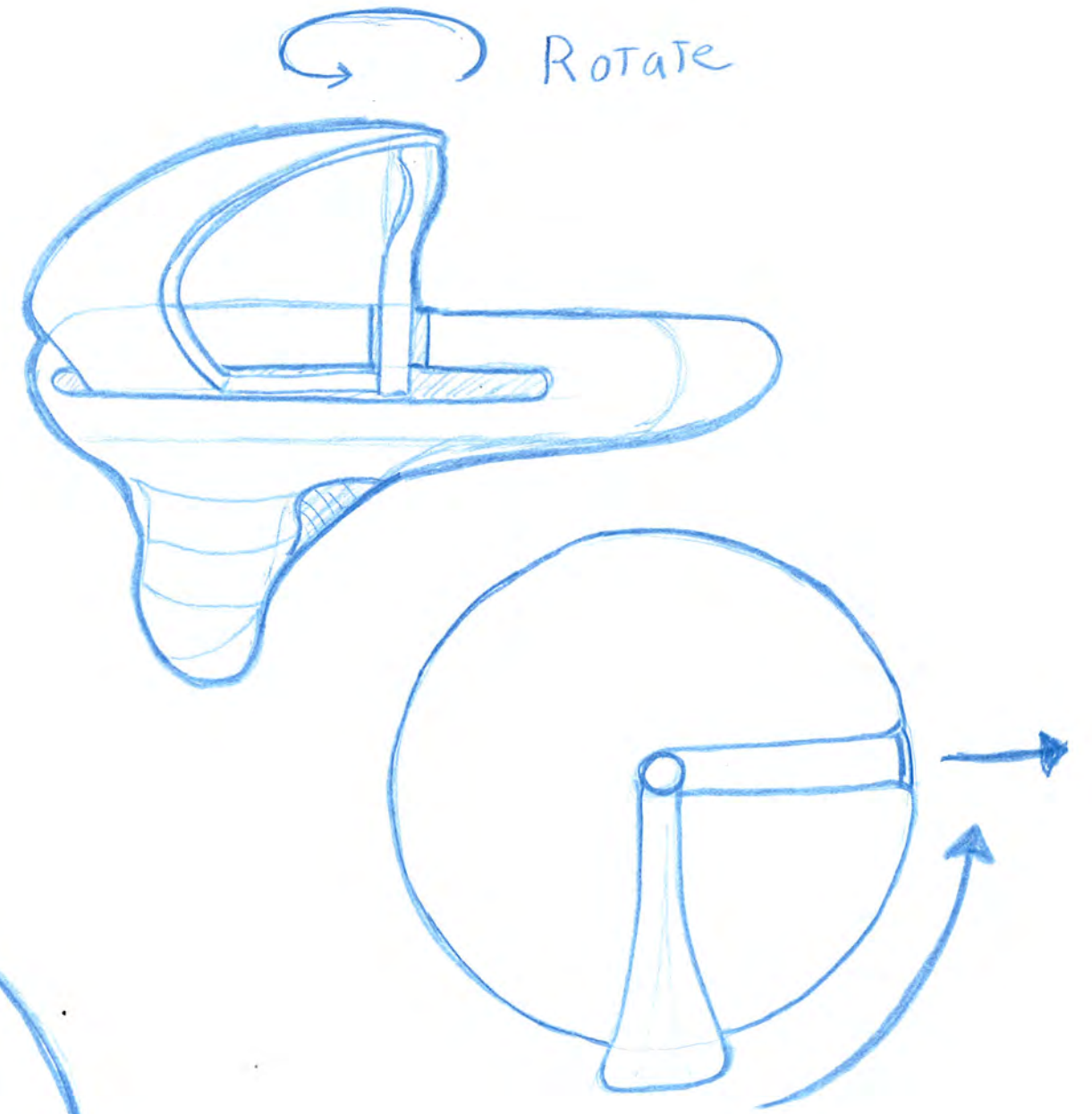
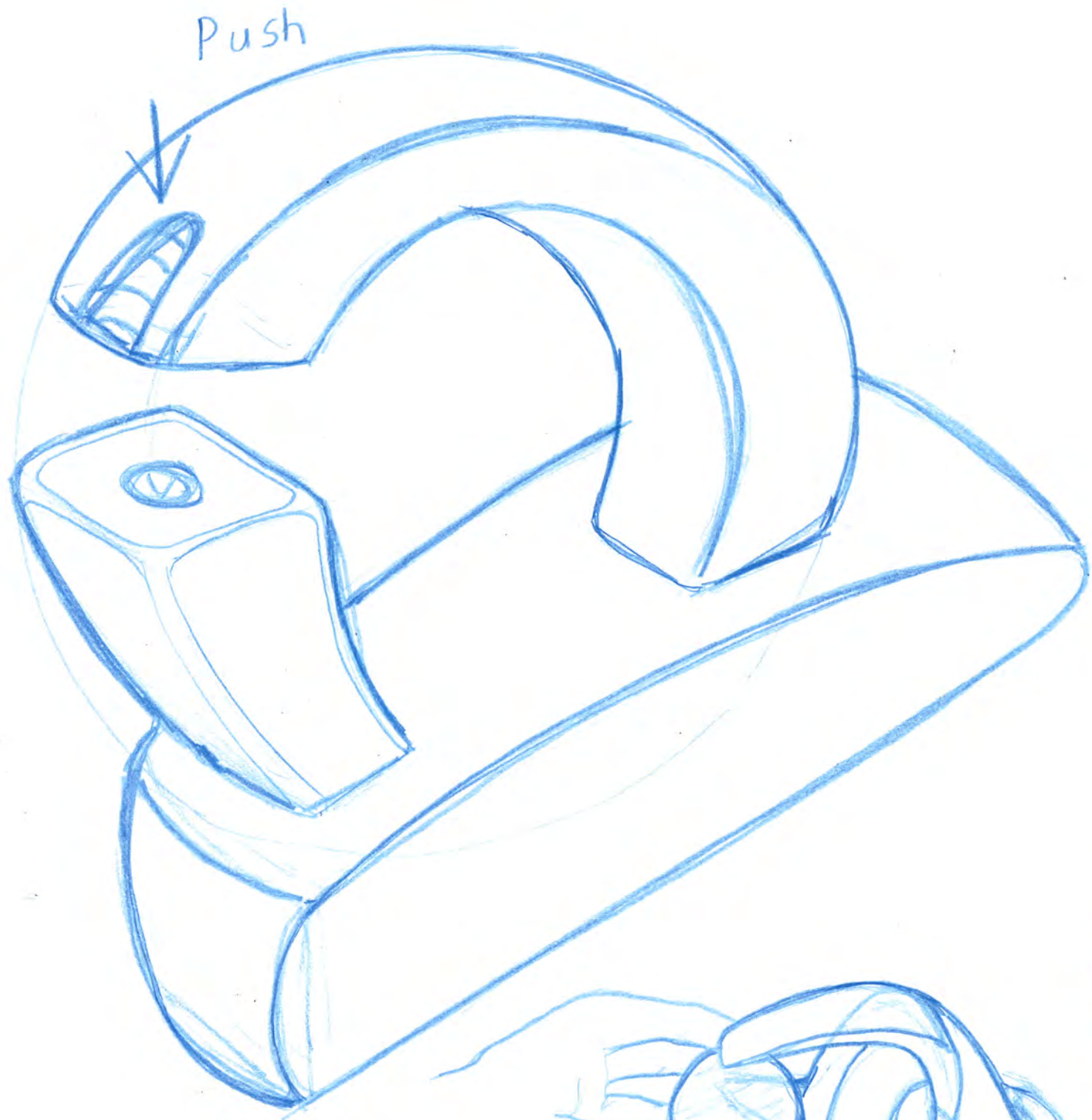
Jon Paul White #7



Semantic Forms

Jon Paul White - Assignment # 8





Jim Paul White

The colors found that would represent a professional DJ, in the age range from 30 to 35 of age, are black, green, and orange. Black, the dominant color, was chosen because of the dark atmosphere and black speakers that a DJ works in and with. Green and orange have been selected to portray the many bright lights that are present during the DJ's performance.

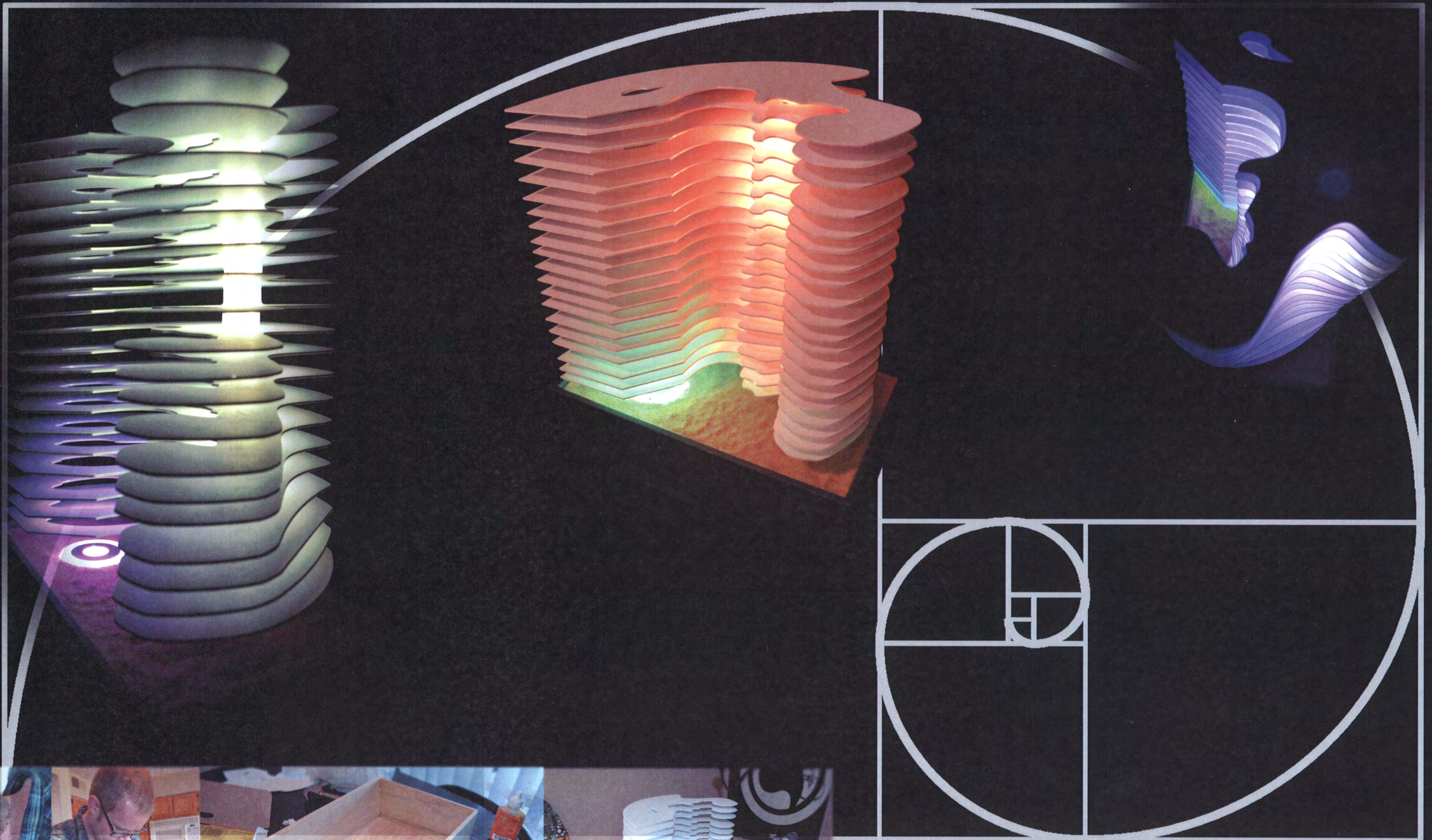


The skate culture is about being heard and to go all out. Colors that were chosen for a skateboarder, in the age range of 20 to 25, are found in the life of skateboarder. Green, purple, and grays are found in graffiti, in and around skate parks, in the clothes, and the decks the skateboarder rides. Green and purple are part of a triadic color scheme, which help compliment one another. Gray compliments purple and green and also represents the cement that skate parks are made with.

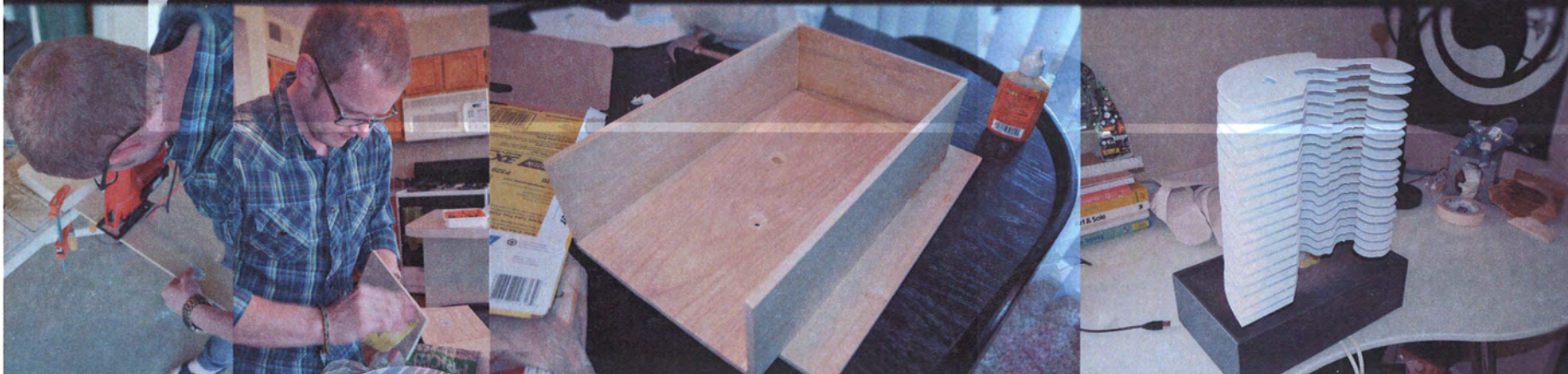


These specific colors were chosen to appeal to the Japanese schoolgirl, age 14 and older. They were decided from market research that concluded that the colors of candy are a large part of the colors found in products in Japan. Viewing the Panasonic website and Japanese cartoons, the colors pink, blue, and white have been found to be the most popular.





The Golden Ratio
By Jon Paul White





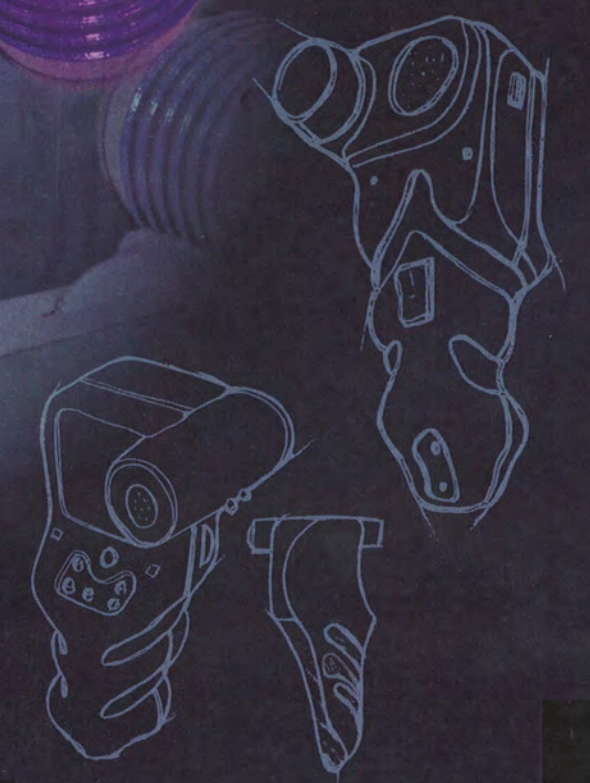
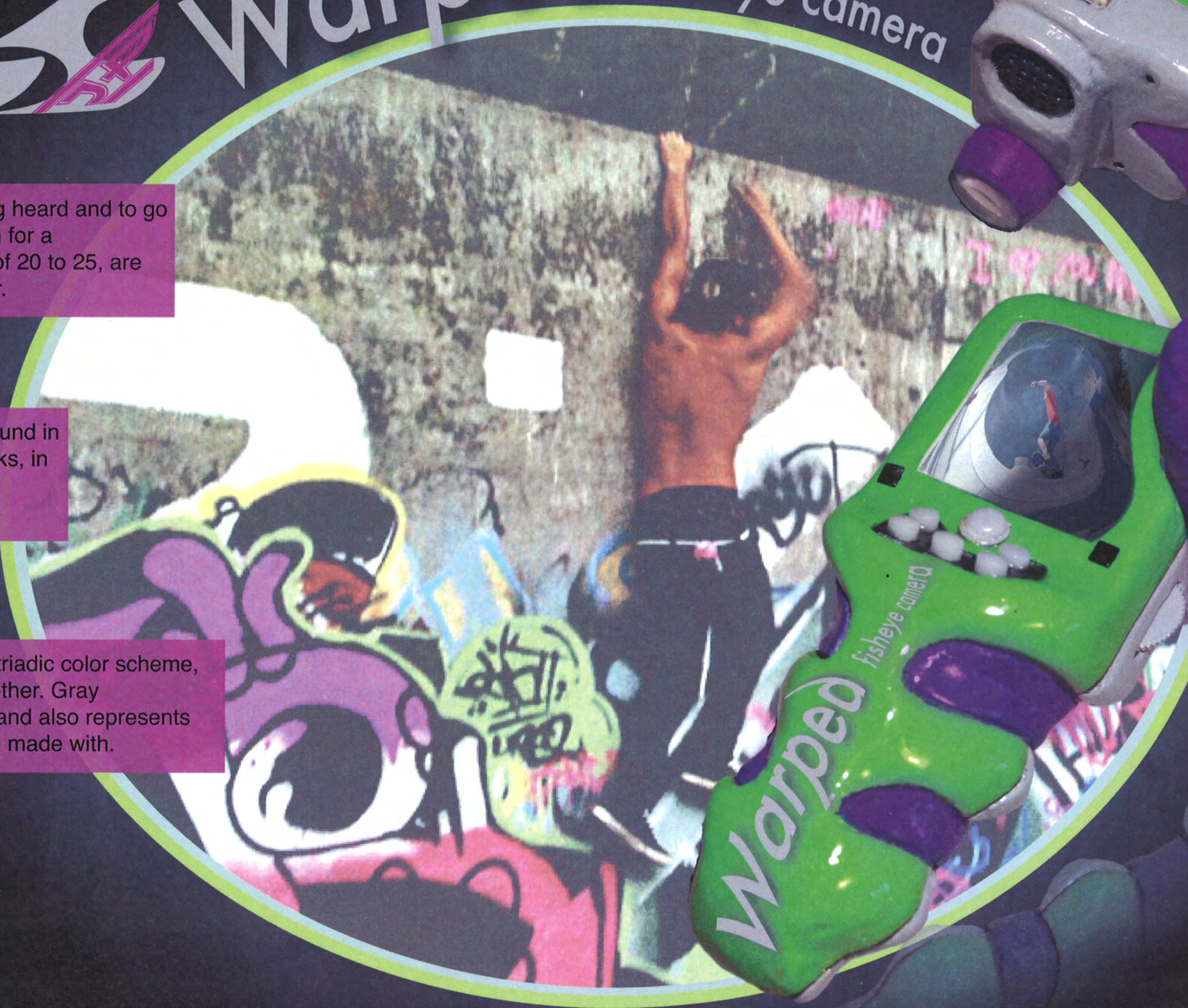
Warped fisheye camera

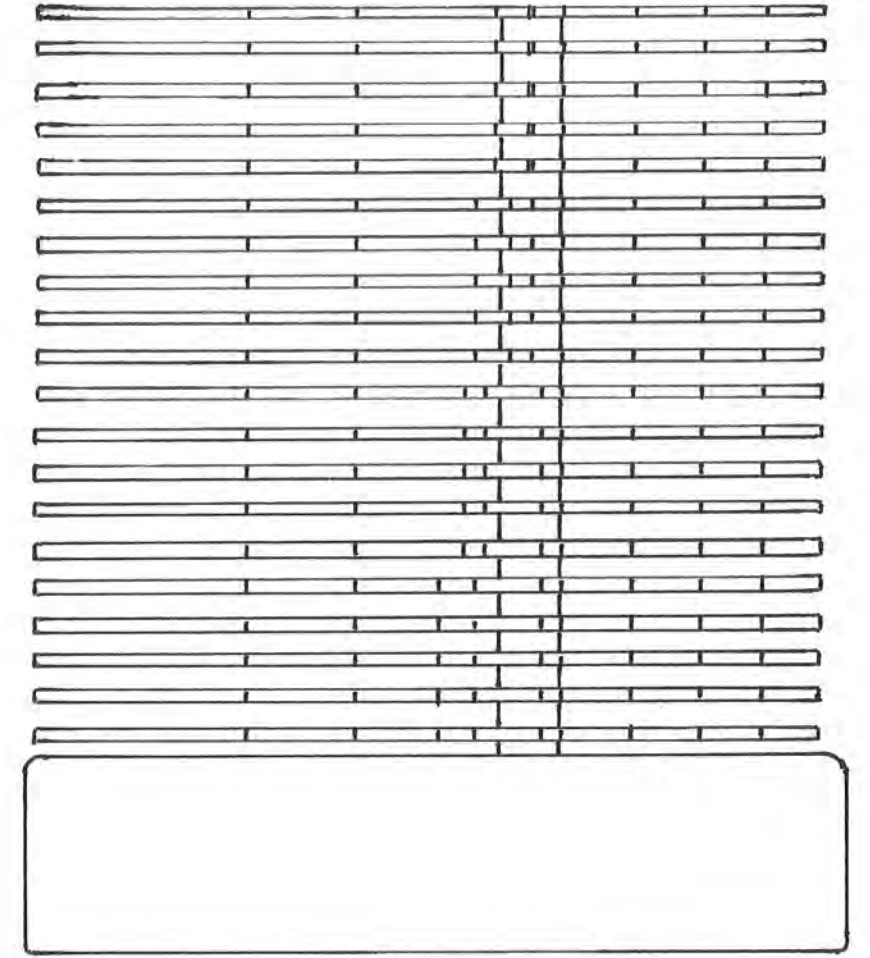
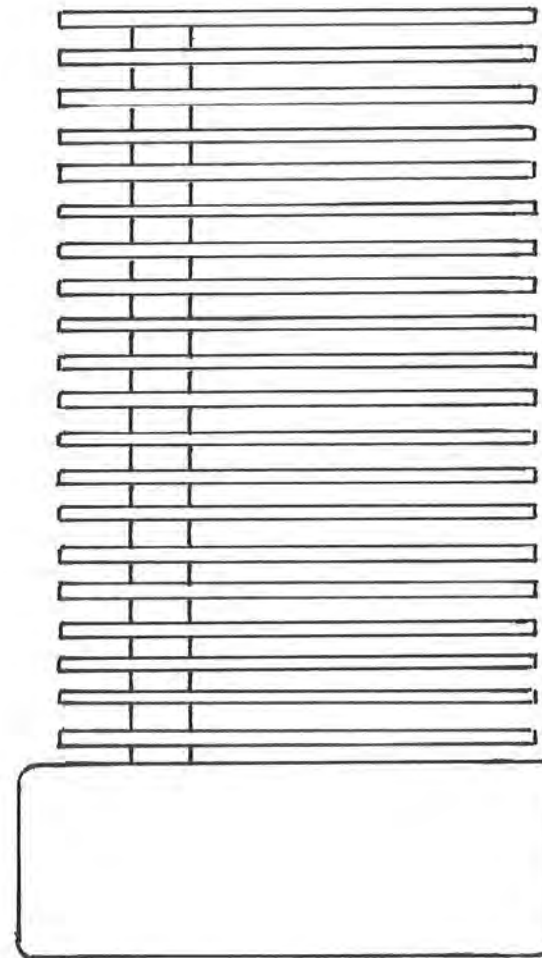
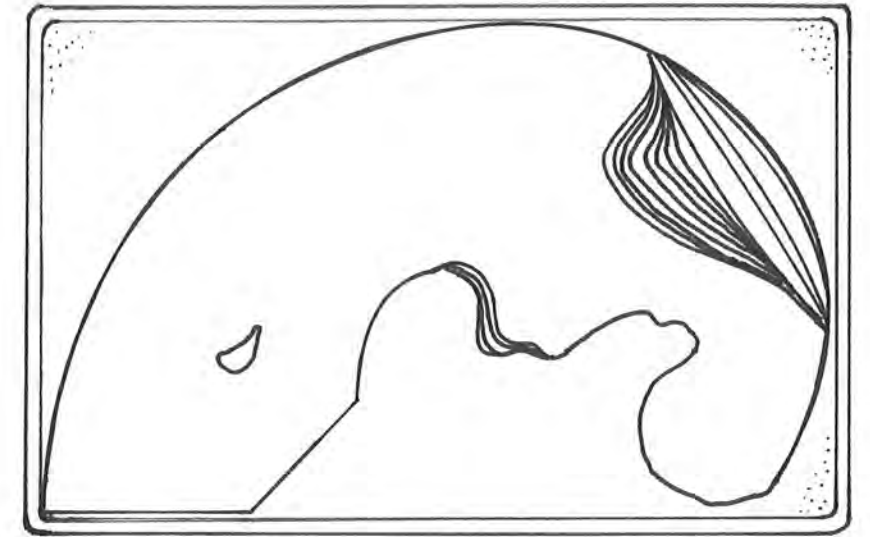
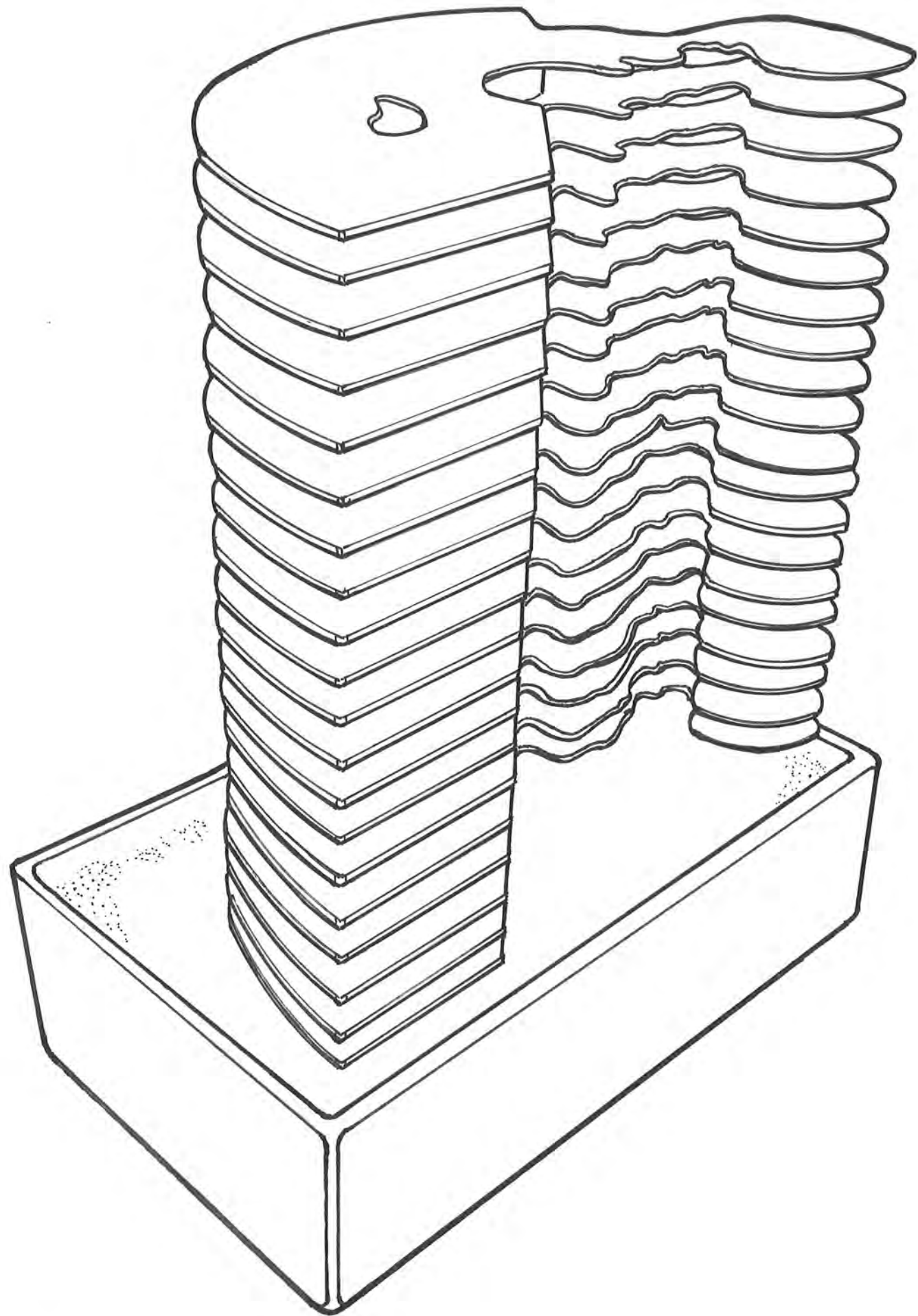
The skate culture is about being heard and to go all out. Colors that were chosen for a skateboarder, in the age range of 20 to 25, are found in the life of skateboarder.

Green, purple, and grays are found in graffiti, in and around skate parks, in the clothes, and the decks the skateboarder rides.

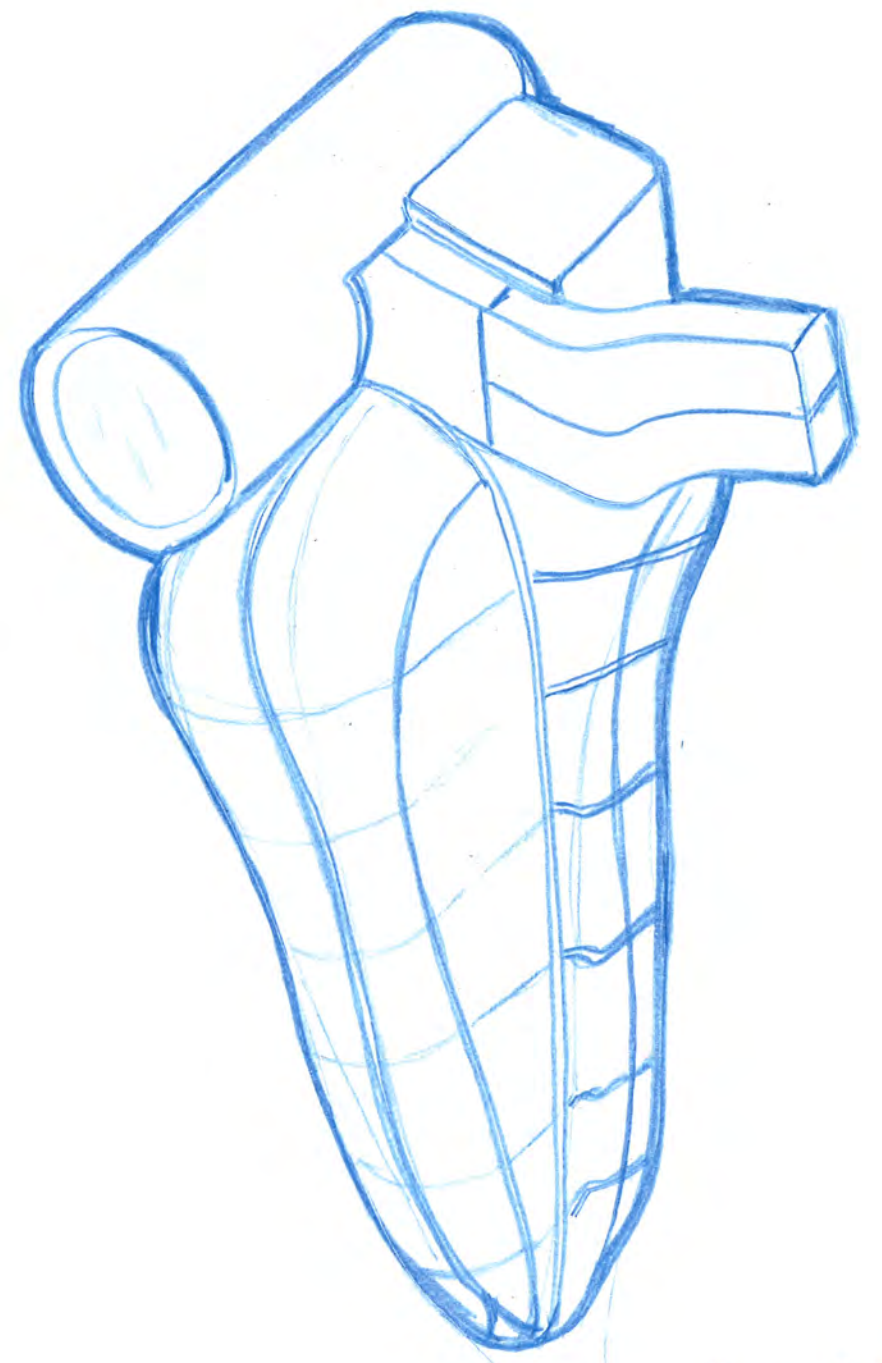
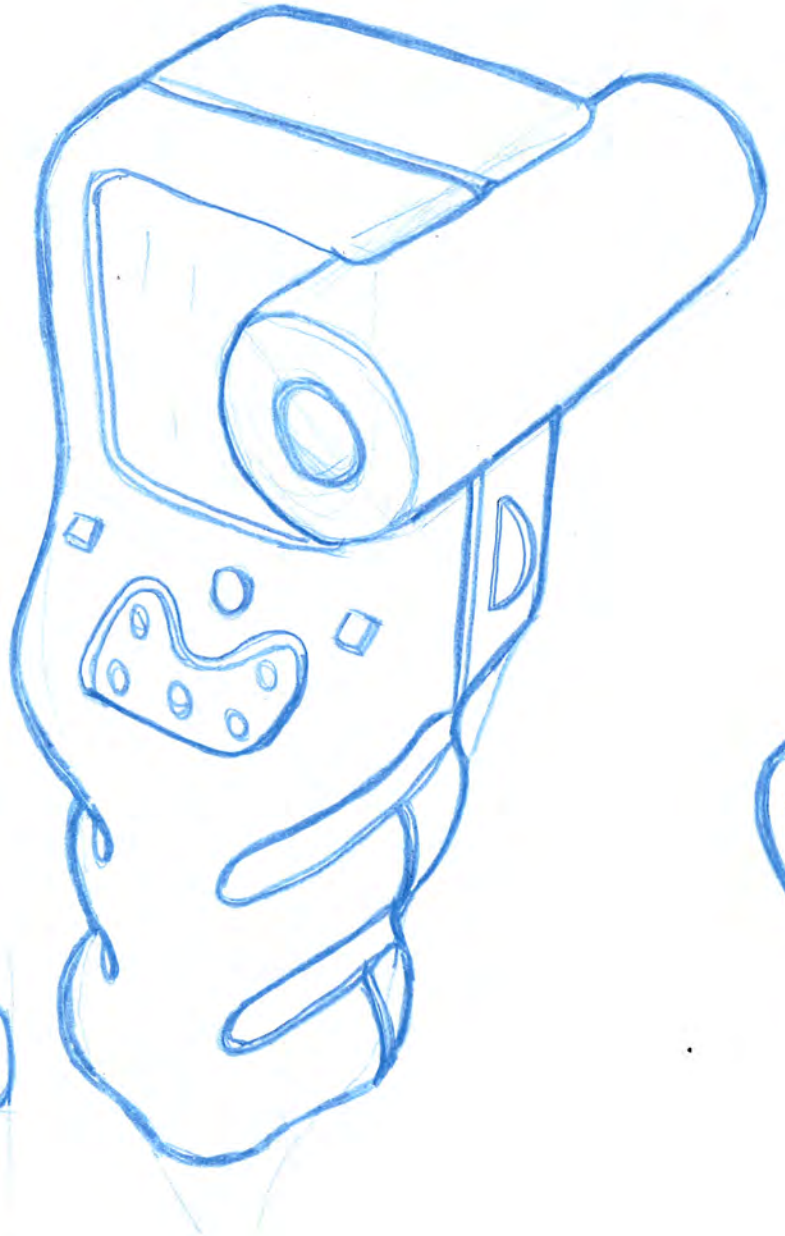
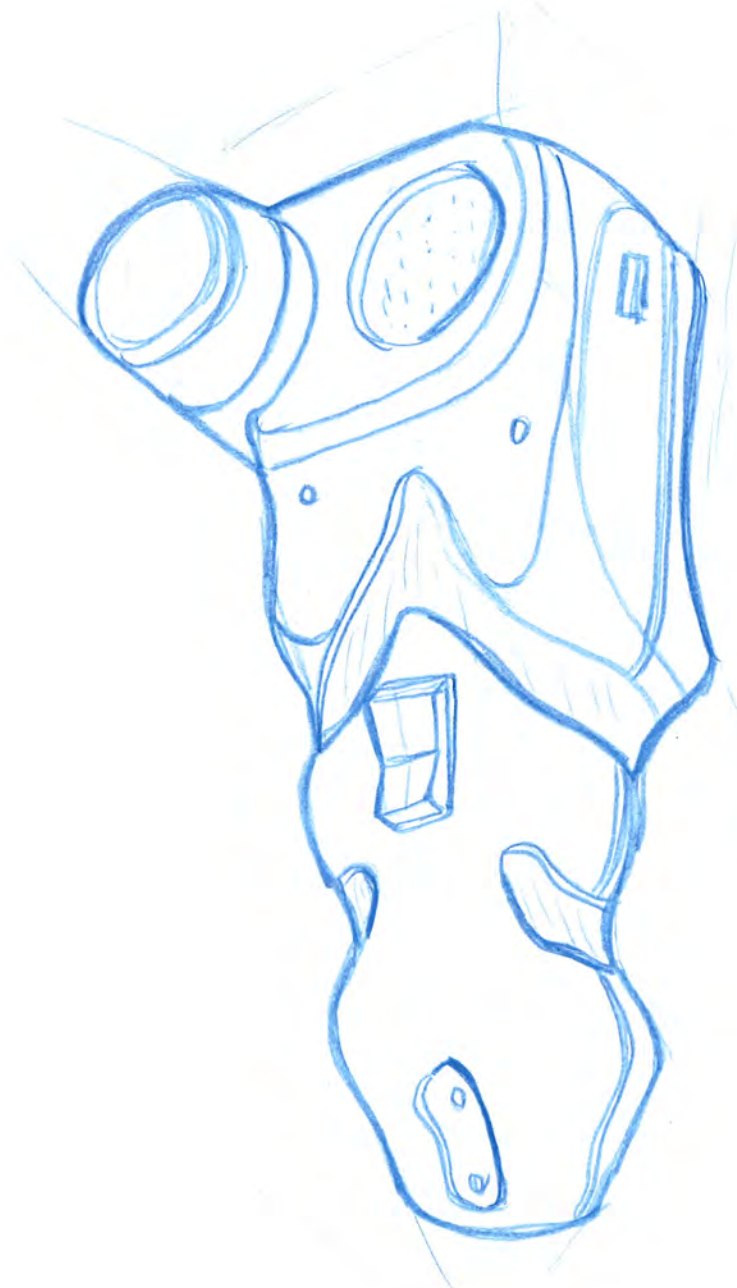
Green and purple are part of a triadic color scheme, which help compliment one another. Gray compliments purple and green and also represents the cement that skate parks are made with.

Jon Paul White - Project c
4-27-2012

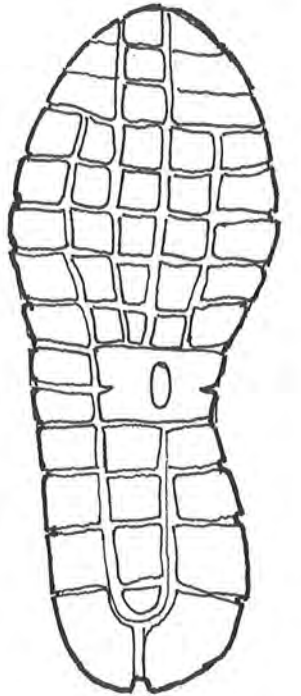
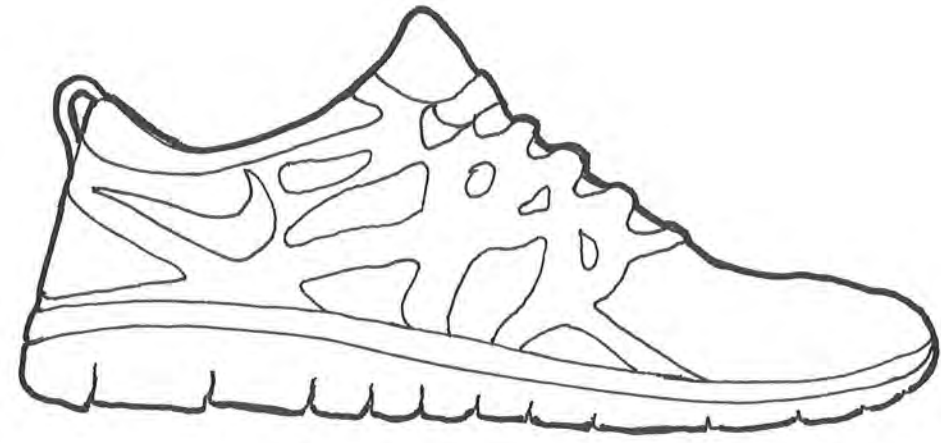




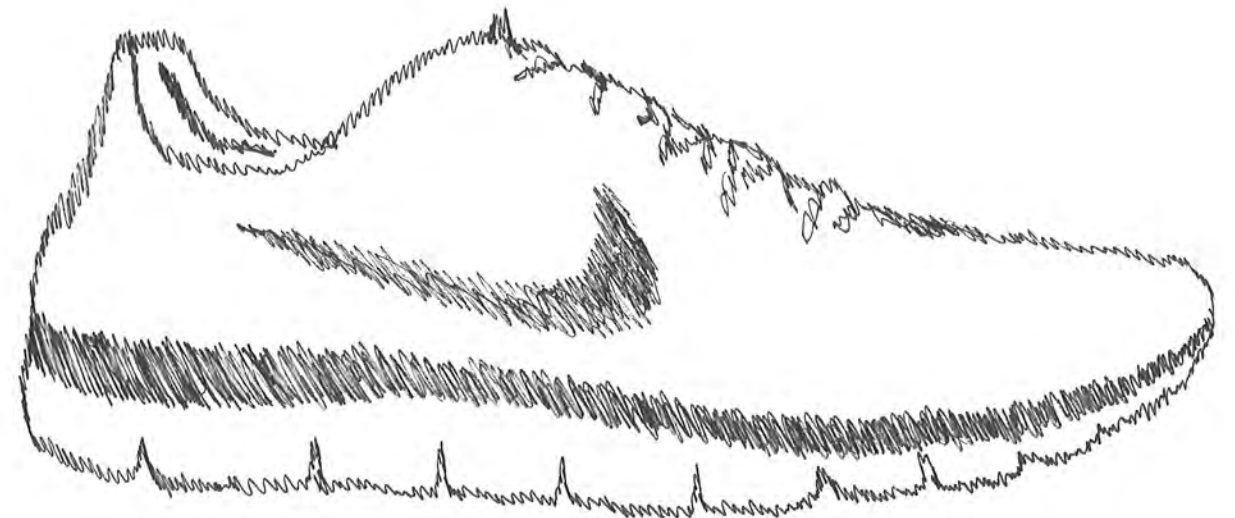
Jon Paul White #6



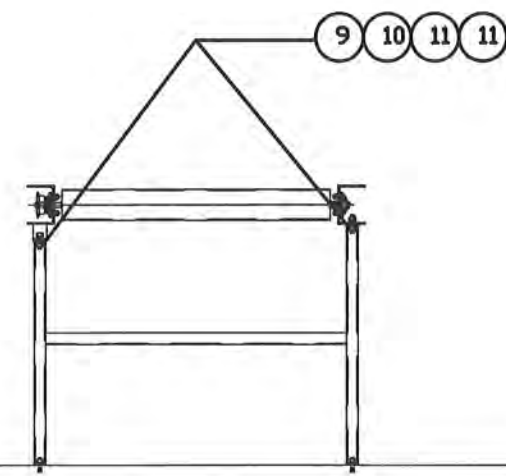
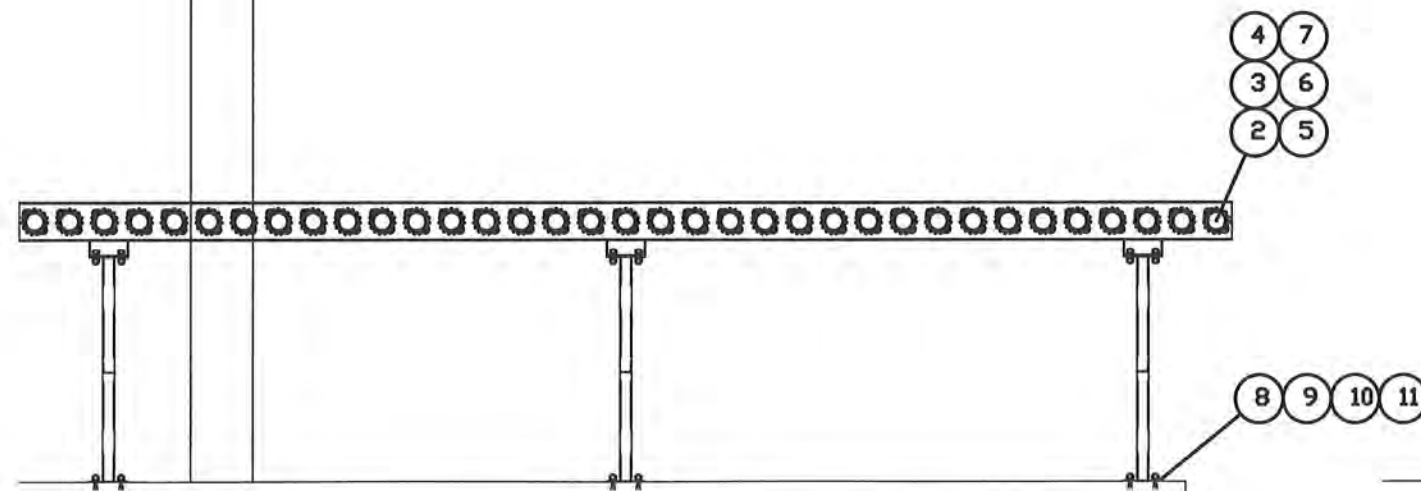
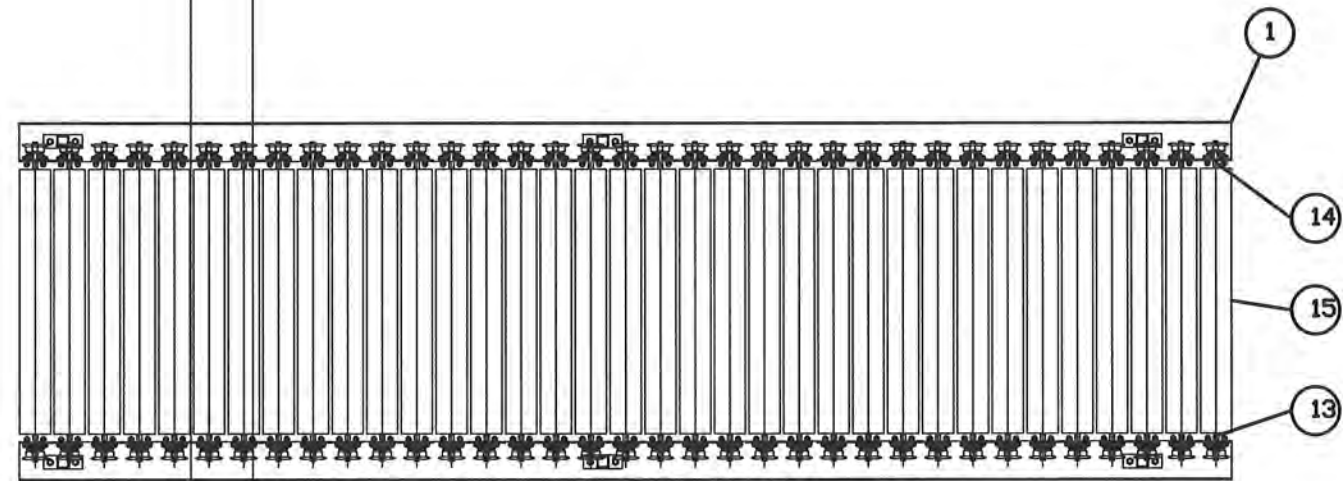
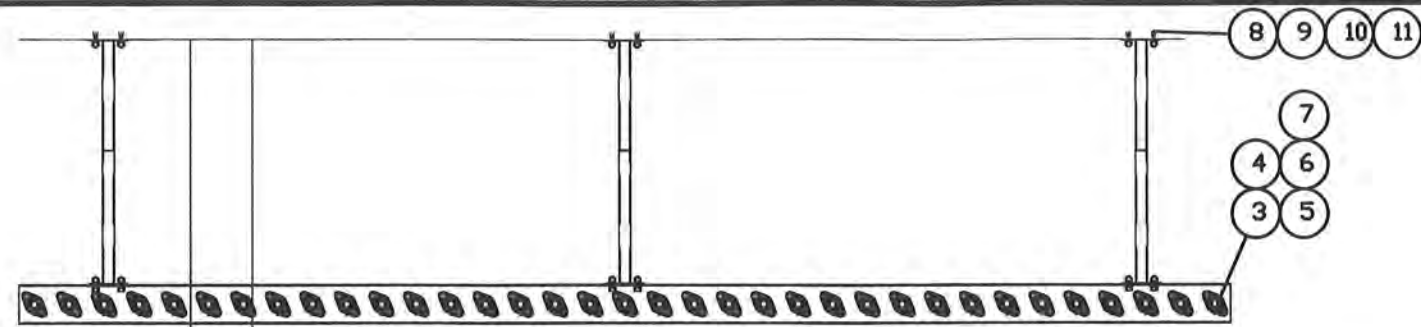
For Paul White



FREEFORM



JONPAUL WHITE
IND 121 PROJECT A.
1-23-12



LIST OF MATERIALS

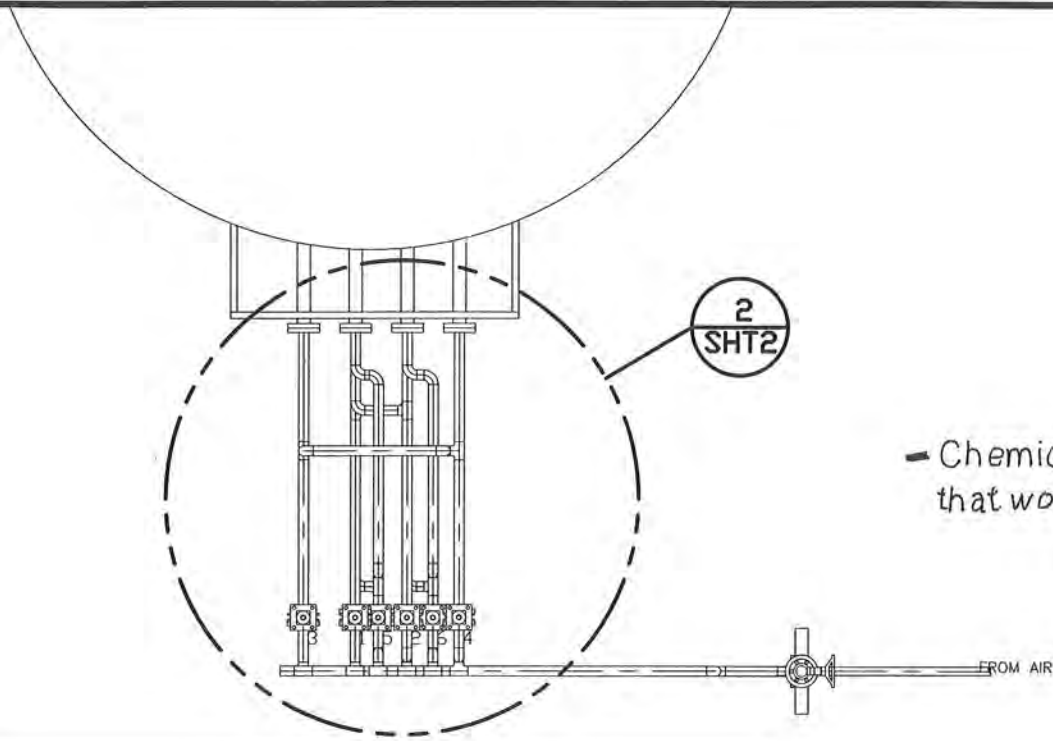
QTY	PART OR IDENTIFYING #	MATERIAL	PART	MFR	SHT NO.	ITEM NO.
1		CARBON STEEL	FRAME		2	1
35	50B15	STEEL	SPROCKET	BROWING	2	2
280		STEEL	WASHER 9/16" RD		2	3
70	VS-110	STEEL	BEARING	BROWING	2	4
140		STEEL	LOCK WASHER 9/16" RD		2	5
140		STEEL	BOLT 3/8" LD 16-UNC 2A X 11/2" LG		2	6
140		STEEL	NUT 3/8" LD 12-UNC 2B		2	7
12		STEEL	ANCHOR-BOLT 1/2" 13-UNC 2A		2	8
36		STEEL	WASHER 1/2" RD		2	9
24		STEEL	LOCK WASHER 1/2" RD		2	10
24		STEEL	NUT 1/2" LD 13-UNC 2B		2	11
12		STEEL	BOLT 1/2" LD 13-UNC 2A X 11/2" LG		2	12
35		STAINLESS STEEL	LEFT SHAFT		6	13
35		STAINLESS STEEL	RIGHT SHAFT		6	14
35		STAINLESS STEEL	ROLLER		6	15

Each student compiled and created each piece that went into the design of this roller. We also had to keep a material listing of each piece.

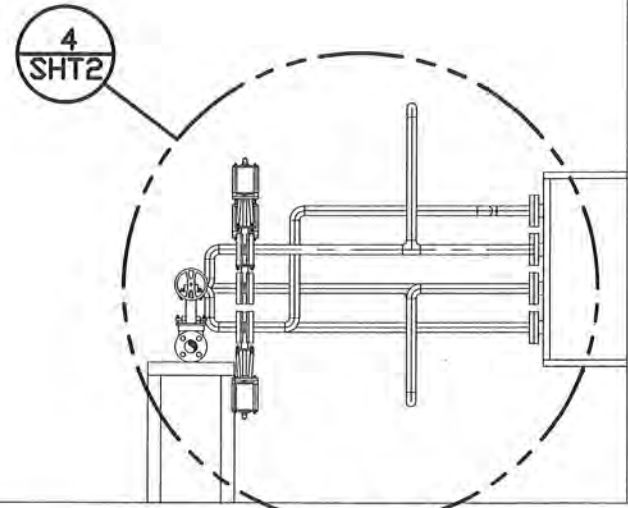
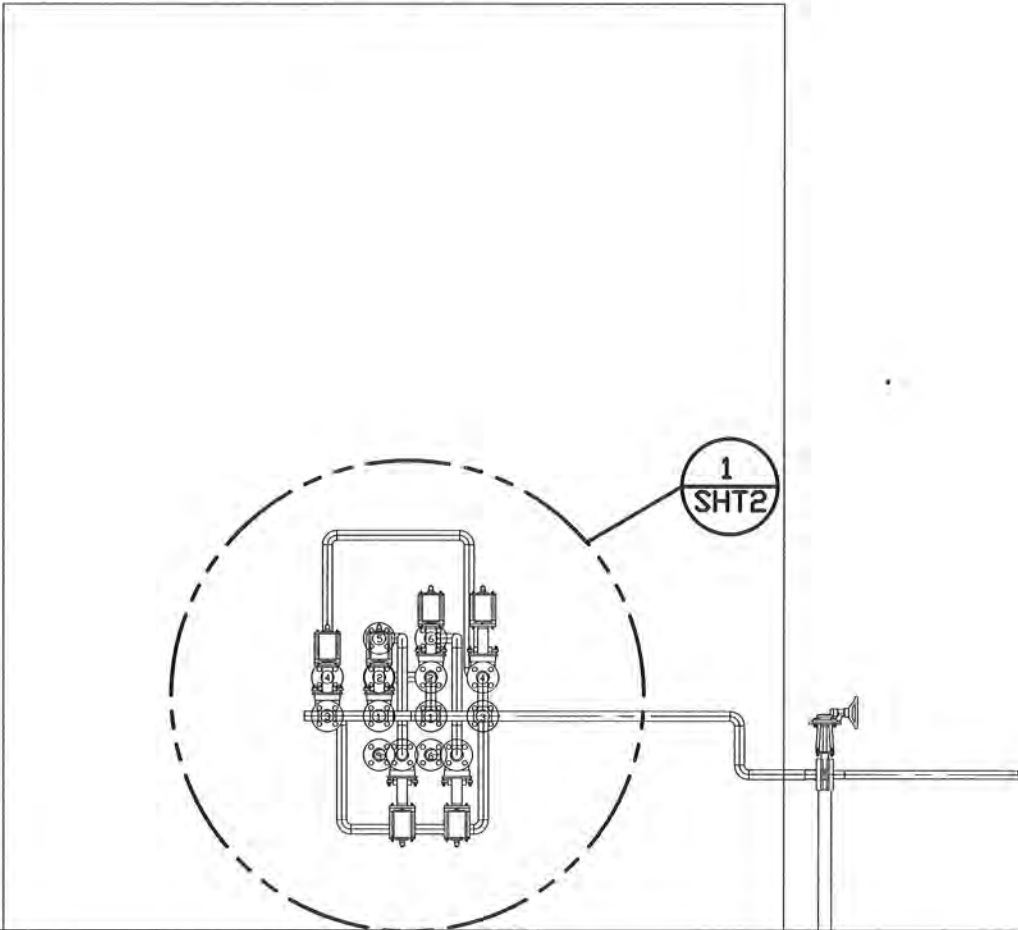
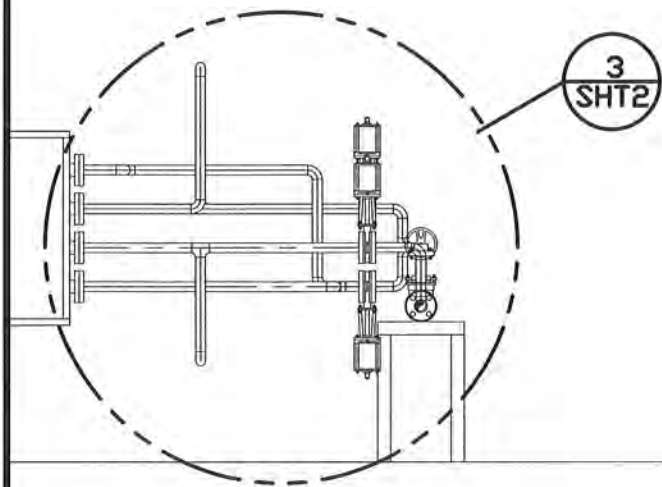
ASSEMBLY
SCALE: 1/2"=1'-0"

ALTA HIGH SCHOOL

TITLE	ROLLERS		
NAME	Jon Paul White	SCALE	
PERIOD	6	DATE	5-24-06 SHEET 1 OF 6

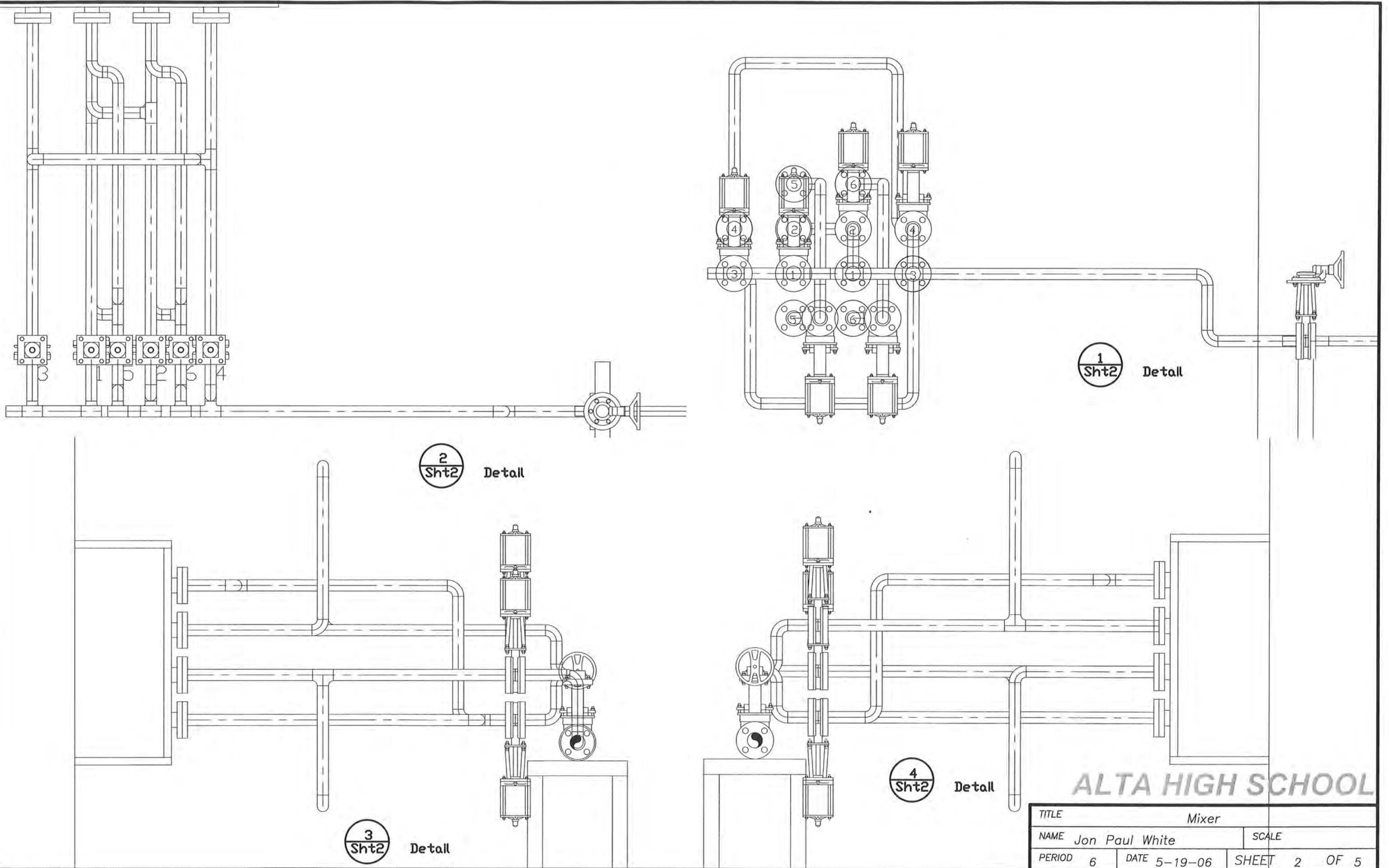


Chemical Mixer - Had to create a piping system that would flow smoothly into each assigned valve.



ALTA HIGH SCHOOL

TITLE		mixer	
NAME		Jon Paul White	SCALE
PERIOD	6	DATE	5-19-06
SHEET		1	OF 5



1
Sht2
Detail

2
Sht2
Detail

3
Sht2
Detail

4
Sht2
Detail

ALTA HIGH SCHOOL

TITLE	Mixer		
NAME	Jon Paul White	SCALE	
PERIOD	6	DATE	5-19-06
SHEET	2	OF	5